



K51 Hardware Kit Includes:

- Stem Adapter, 3/8-16x1/8-IP * (2) 900-01088
- Cable, SS, 3/32x6' W/stop (2) 900-01092
- ABS Washer, White, 3/8x1.5" * (2) 900-01003
- 3/8-16 Hex Nut * (2) 900-01007
- Split Bolt, Cable Connector (2) 900-01102
- 1/4-20 Cable Coupler (2) 900-01039
- 1/4-20 x 1" SS Set Screw (2) 900-SETSCR-25-1.0

* Note: Parts noted not required for open ceilings.

Materials/Tools Required:

- Pencil
- Tape Measure
- Level
- Cable Cutter
- Crimp Tool or Pliers (to crimp Swage Sleeve)
- Drill
- Self-Leveling Line Laser Level/Plum Bob
- 1/2" drill bit (for ceiling holes, see Step 2)
- 1/8" Hex Drive Bit
- Ladder/Lift/Scaffold
- Superstrut Hardware (see Step 3 and Step 7 for instructions, see Page 3 for example building structure configurations and respective hardware requirements)
- 7/16" Wrench
- 5/8" Wrench
- Adjustable Wrench
- Torque Wrench

Recommended Cleaning Materials:

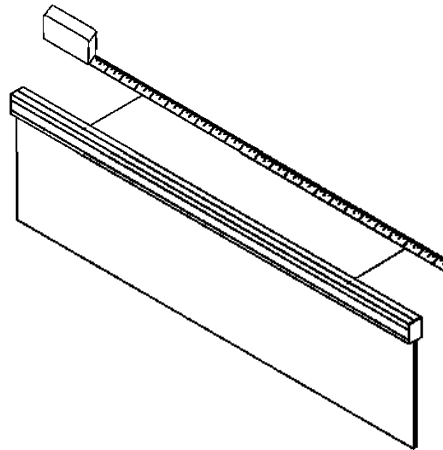
Lint Free Non-abrasive Cloth or Wipes
 Fantastik® All-Purpose Heavy Duty Cleaner
 (Formula 409®, Windex®, Glass Plus®, Virex Tb or liquid detergent with water solution mixture are also acceptable cleaning materials)

Cleaning Warning: DO NOT scrub when cleaning a Moxie panel and DO NOT use ammonia or abrasive materials to clean a panel.

K51 - MOXIE—Cable Suspended Overhead Installation (Drop Ceiling Option), Page 1 of 5

Step 1:

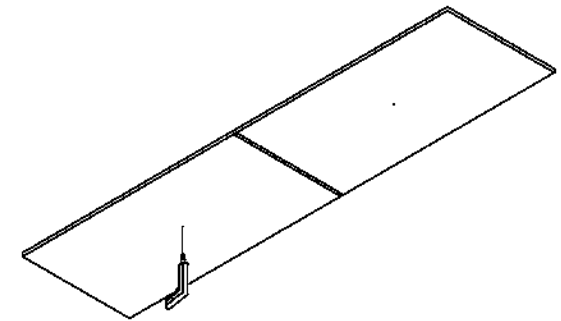
Measure distance between set screw mounting holes in top of sign. This will determine center to center distance between ceiling cable holes.



Step 2:

At desired mounting location mark ceiling tile with pencil where hardware will be installed, using mounting hole center to center distance determined from Step 1.

For ceiling tile, use 1/2" bit to drill holes on marks.



Step 3:

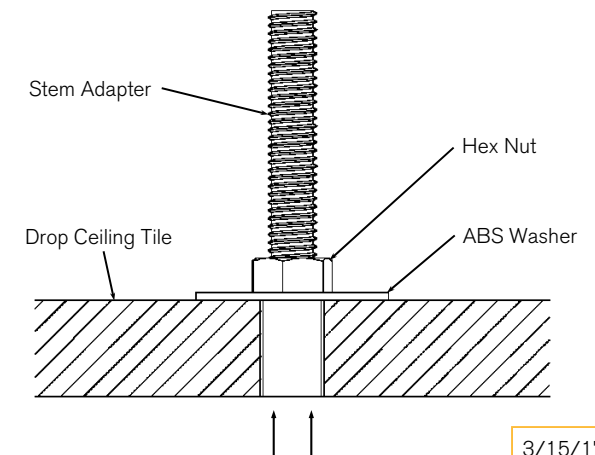
Remove ceiling tile above mounting location determined from Step 1 and examine ceiling to determine building structure conditions. Typically, one of three configurations will exist based on locations of structural beams and whether air duct obstacles are present. See Pages 3-5 for example configurations and hardware requirements for each configuration. Once this has been determined, the installer will have to purchase the necessary hardware at a local hardware store (e.g., Home Depot or Lowe's) in order to complete Step 7 for cable tie down to superstrut.

For superstrut installation to existing structural beams, superstrut must be positioned in ceiling directly over mounting locations from Step 2. Failure to do so may result in damage to ceiling tile after Moxie panel installation, as noted in Step 7.

Step 4:

Insert stem adapters into ceiling tile holes made in step 2. Add ABS washer and hex nut on top, hand tighten hex nut to fit snug to ceiling tile. Use hex nut and washer to adjust height of stem adapter. Stem adapter should be flush with ceiling tile.

Note: stem adapter only serves as a decorative pass through in ceiling tile.



K51 Hardware Kit Includes:

- Stem Adapter, 3/8-16x1/8-IP * (2) 900-01088
- Cable, SS, 3/32x6' W/stop (2) 900-01092
- ABS Washer, White, 3/8x1.5" * (2) 900-01003
- 3/8-16 Hex Nut * (2) 900-01007
- Split Bolt, Cable Connector (2) 900-01102
- 1/4-20 Cable Coupler (2) 900-01039
- 1/4-20 x 1" SS Set Screw (2) 900-SETSCR-25-1.0

* Note: Parts noted not required for open ceilings.

Materials/Tools Required:

- Pencil
- Tape Measure
- Level
- Cable Cutter
- Crimp Tool or Pliers (to crimp Swage Sleeve)
- Drill
- Self-Leveling Line Laser Level/Plum Bob
- 1/2" drill bit (for ceiling holes, see Step 2)
- 1/8" Hex Drive Bit
- Ladder/Lift/Scaffold
- Superstrut Hardware (see Step 3 and Step 7 for instructions, see Page 3 for example building structure configurations and respective hardware requirements)
- 7/16" Wrench
- 5/8" Wrench
- Adjustable Wrench
- Torque Wrench

Recommended Cleaning Materials:

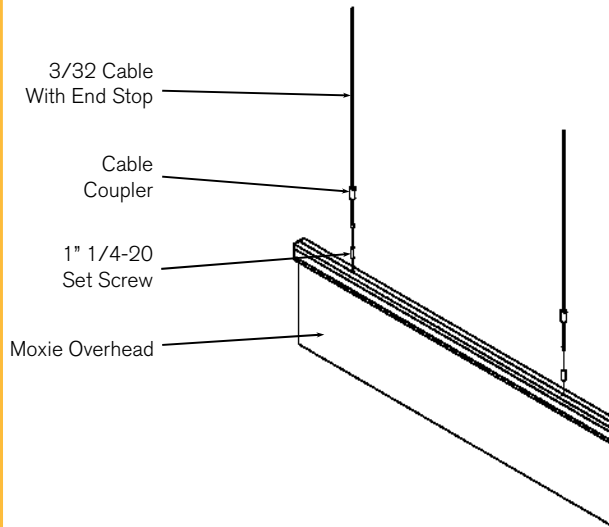
- Lint Free Non-abrasive Cloth or Wipes
- Fantastik® All-Purpose Heavy Duty Cleaner (Formula 409®, Windex®, Glass Plus®, Virex Tb or liquid detergent with water solution mixture are also acceptable cleaning materials)

Cleaning Warning: DO NOT scrub when cleaning a Moxie panel and DO NOT use ammonia or abrasive materials to clean a panel.

K51 - MOXIE—Cable Suspended Overhead Installation (Drop Ceiling Option), Page 2 of 5

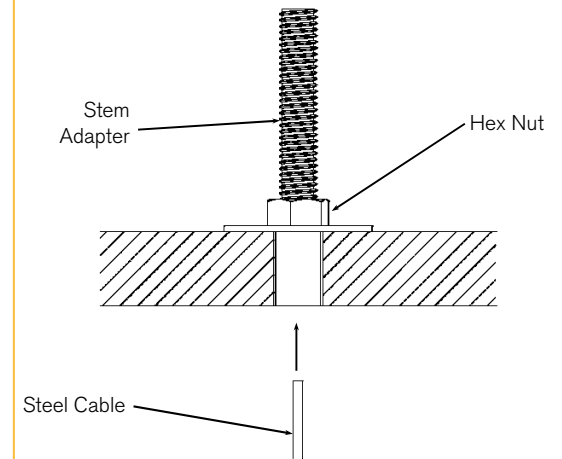
Step 5:

Assemble sign mounting hardware. Thread set screws into tapped holes on top of overhead. Thread cables through cable couplers so that cable end stop is inside of cable coupler. Thread cable couplers on to set screws and tighten until secure using a 7/16" wrench.



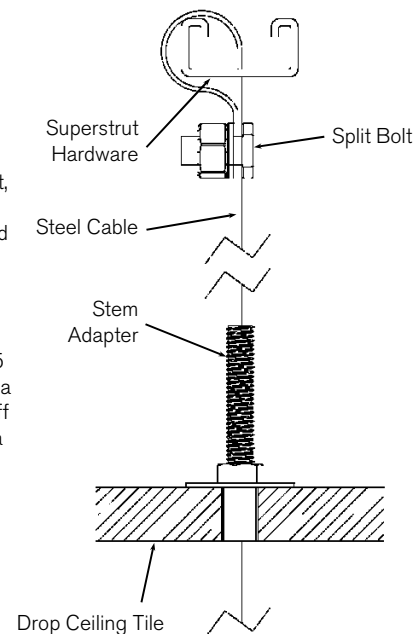
Step 6:

Feed cable up through stem adapter mounted in ceiling tile.



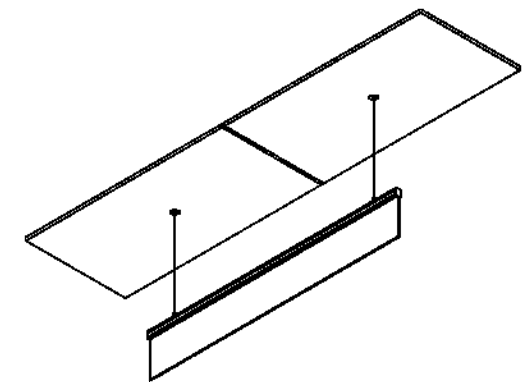
Step 7:

Cable above ceiling tile MUST BE looped around superstrut hardware mounted to existing building structure and secured using included split bolt. Pulling cable taut, loop cable through split bolt, around superstrut, and back through split bolt. Cinch split bolt to superstrut and tighten using 5/8" wrench and torque wrench applying 25 ft.-lbs. of torque to ensure a secure connection. Trim off any excess cable leaving a 1/2" to 1" hanging from swage sleeve.



Step 8:

Remove finger prints from Moxie panel face and edges using recommended cleaning materials listed on Page 1.



Superstrut Hardware Requirements per Moxie Panel:

Note: Hardware to be purchased by installer based on existing building structure conditions. Figure A is the preferred superstrut hardware attachment method, followed by Figure B, as conditions allow. Figure C should only be necessary in extreme cases.

Figure A:

- Superstrut Steel Channel 1-5/8"x13/16"x10' (1)
 Home Depot sku # 863322
 Lowe's item # 20281
- Superstrut U-Bolt Beam Clamp (2)
 Home Depot sku # 236521
 Lowe's item # 45684

Figure B:

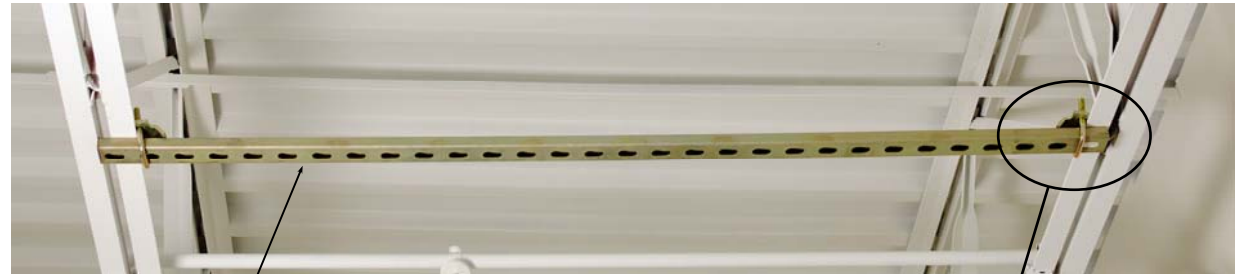
- Superstrut Steel Channel 1-5/8"x13/16"x10' (1)
 Home Depot sku # 863322
 Lowe's item # 20281
- Threaded Rod, 3/8-16x36", Zinc-Plated Steel (2)
 Home Depot sku # 671223
 Lowe's item # 69888
- Nut, Hex, 3/18-16, Zinc-Plated Steel (8)
 Home Depot sku # 328674 (pack of 25)
 Lowe's item # 135800 (pack of 25)
- Washer, Flat, Fender, 3/8x1-1/4OD, Steel (8)
 Home Depot sku # 207993 (pack of 2)
 Lowe's item # 136659 (pack of 4)

Figure C:

- Superstrut Steel Channel 1-5/8"x13/16"x10' (2)
 Home Depot sku # 863322
 Lowe's item # 20281
- Superstrut U-Bolt Beam Clamp (2)
 Home Depot sku # 236521
 Lowe's item # 45684
- Threaded Rod, 3/8-16x36", Zinc-Plated Steel (2)
 Home Depot sku # 671223
 Lowe's item # 69888
- Nut, Hex, 3/18-16, Zinc-Plated Steel (8)
 Home Depot sku # 328674 (pack of 25)
 Lowe's item # 135800 (pack of 25)
- Washer, Flat, 3/8, Zinc-Plated Steel (8)
 Home Depot sku # 637009 (pack of 8)
 Lowe's item # 58126 (pack of 10)

Figure A: Superstrut and U-Bolt Beam Clamp

Install superstrut securely, as described in Step 3 (page 1), between two existing building structure beams using beam clamps. This will be used to tie off steel cable, as described in Step 7 (page 2).



Superstrut



Beam Clamp

Superstrut Hardware Requirements per Moxie Panel:

Note: Hardware to be purchased by installer based on existing building structure conditions. Figure A is the preferred superstrut hardware attachment method, followed by Figure B, as conditions allow. Figure C should only be necessary in extreme cases.

Figure A:

- Superstrut Steel Channel 1-5/8"x13/16"x10' (1)
Home Depot sku # 863322
Lowe's item # 20281
- Superstrut U-Bolt Beam Clamp (2)
Home Depot sku # 236521
Lowe's item # 45684

Figure B:

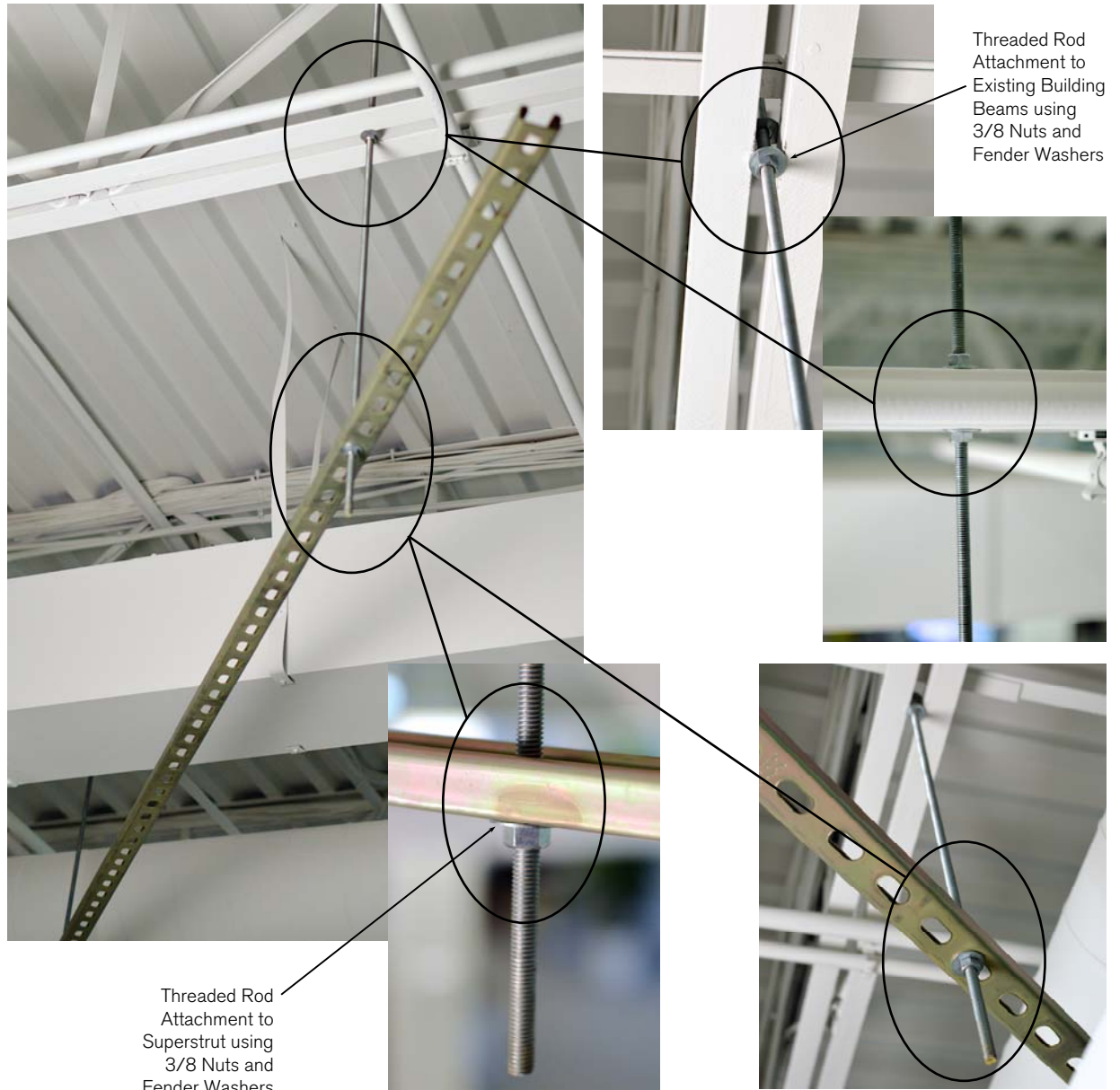
- Superstrut Steel Channel 1-5/8"x13/16"x10' (1)
Home Depot sku # 863322
Lowe's item # 20281
- Threaded Rod, 3/8-16x36", Zinc-Plated Steel (2)
Home Depot sku # 671223
Lowe's item # 69888
- Nut, Hex, 3/18-16, Zinc-Plated Steel (8)
Home Depot sku # 328674 (pack of 25)
Lowe's item # 135800 (pack of 25)
- Washer, Flat, Fender, 3/8x1-1/4OD, Steel (8)
Home Depot sku # 207993 (pack of 2)
Lowe's item # 136659 (pack of 4)

Figure C:

- Superstrut Steel Channel 1-5/8"x13/16"x10' (2)
Home Depot sku # 863322
Lowe's item # 20281
- Superstrut U-Bolt Beam Clamp (2)
Home Depot sku # 236521
Lowe's item # 45684
- Threaded Rod, 3/8-16x36", Zinc-Plated Steel (2)
Home Depot sku # 671223
Lowe's item # 69888
- Nut, Hex, 3/18-16, Zinc-Plated Steel (8)
Home Depot sku # 328674 (pack of 25)
Lowe's item # 135800 (pack of 25)
- Washer, Flat, 3/8, Zinc-Plated Steel (8)
Home Depot sku # 637009 (pack of 8)
Lowe's item # 58126 (pack of 10)

Figure B: Superstrut with Threaded Rods For Air Ducts Obstacle

Install superstrut securely below air duct obstacles, as described in Step 3 (page 1), between two existing building structure beams using 3/8 threaded rods, nuts and fender washers. This will be used to tie off steel cable, as described in Step 7 (page 2).



Superstrut Hardware Requirements per Moxie Panel:

Note: Hardware to be purchased by installer based on existing building structure conditions. Figure A is the preferred superstrut hardware attachment method, followed by Figure B, as conditions allow. Figure C should only be necessary in extreme cases.

Figure A:

- Superstrut Steel Channel 1-5/8"x13/16"x10' (1)
 Home Depot sku # 863322
 Lowe's item # 20281
- Superstrut U-Bolt Beam Clamp (2)
 Home Depot sku # 236521
 Lowe's item # 45684

Figure B:

- Superstrut Steel Channel 1-5/8"x13/16"x10' (1)
 Home Depot sku # 863322
 Lowe's item # 20281
- Threaded Rod, 3/8-16x36", Zinc-Plated Steel (2)
 Home Depot sku # 671223
 Lowe's item # 69888
- Nut, Hex, 3/18-16, Zinc-Plated Steel (8)
 Home Depot sku # 328674 (pack of 25)
 Lowe's item # 135800 (pack of 25)
- Washer, Flat, Fender, 3/8x1-1/4OD, Steel (8)
 Home Depot sku # 207993 (pack of 2)
 Lowe's item # 136659 (pack of 4)

Figure C:

- Superstrut Steel Channel 1-5/8"x13/16"x10' (2)
 Home Depot sku # 863322
 Lowe's item # 20281
- Superstrut U-Bolt Beam Clamp (2)
 Home Depot sku # 236521
 Lowe's item # 45684
- Threaded Rod, 3/8-16x36", Zinc-Plated Steel (2)
 Home Depot sku # 671223
 Lowe's item # 69888
- Nut, Hex, 3/18-16, Zinc-Plated Steel (8)
 Home Depot sku # 328674 (pack of 25)
 Lowe's item # 135800 (pack of 25)
- Washer, Flat, 3/8, Zinc-Plated Steel (8)
 Home Depot sku # 637009 (pack of 8)
 Lowe's item # 58126 (pack of 10)

Figure C: Superstrut and U-Bolt Beam Clamp with Threaded Rods For Air Ducts Obstacle

Install superstrut securely below air duct obstacles, as described in Step 3 (page 1), between two existing building structure beams using beam clamps. Install second superstrut below air ducts using 3/8 threaded rods, washers and nuts. This will be used to tie off steel cable, as described in Step 7 (page 2).

