



K66 - MOXIE—Z-Clip Mount Installation

K66 Hardware Kit Includes:

- #10 Wall Anchor (2) 900-01028
- #10x1.5" Sheet Metal Screw (2) 900-1172936
- Z-Clip Continuous (cut to size) (AR) 900-MF-375-144
- Mounting Template

Note: Multiple K66 kits are supplied to match the Z-Clip count per sign.

Materials/Tools Required:

- Tape / Level / Pencil / Tape Measure / Hammer
- Drill with 7/32" and Phillips Head bit

Recommended Cleaning Materials:

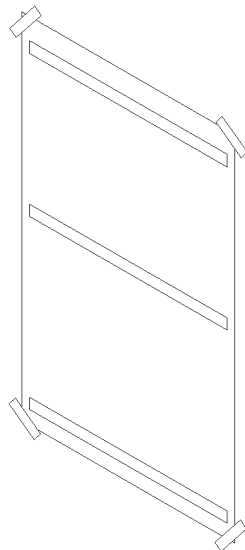
- Lint Free Non-abrasive Cloth or Wipes
- Fantastik® All-Purpose Heavy Duty Cleaner

Important Installation Guidelines:

1. A minimum clearance of 1/2" from ceiling to top of sign (in final position on wall) is required for installation.
2. A minimum of 1/4" spacing between each sign is required when mounting adjacent to each other.

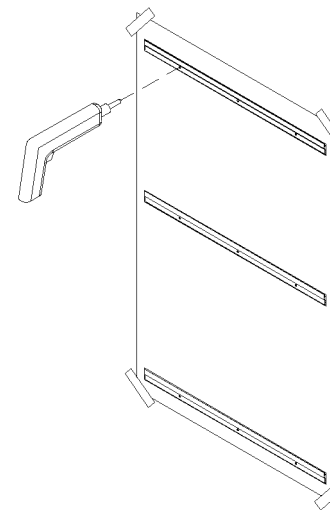
Step 1:

Tape template on wall at desired location, using a level to ensure bottom of template is level/plumb.



Step 2:

Place continuous Z-Clip on template in outlined areas and use it to mark the hole centers. Drill 7/32" diameter holes at center of hole marks into concrete, masonry or drywall.

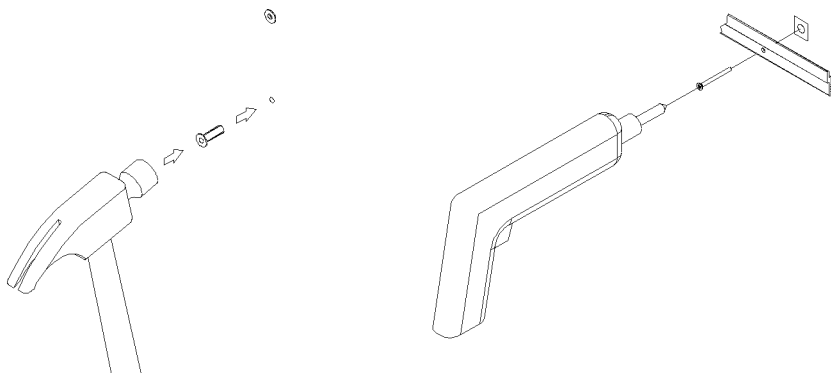


Step 3:

Using hammer, drive anchors into wall and seat flush.

Step 4:

Use drill with phillips head bit to install #10 sheet metal screws through clearance holes of continuous z-clips and into wall anchors. Ensure that continuous z-clips are seated flush to wall.



Step 5:

Carefully position sign flush against wall with z-clips on backside of sign aligned over z-clips on wall. Slide sign down into position to engage contact with all z-clips, securing sign against wall.

Step 6:

Remove finger prints from sign face and edges using recommended cleaning materials. DO NOT scrub when cleaning sign. DO NOT use ammonia or abrasive materials.

