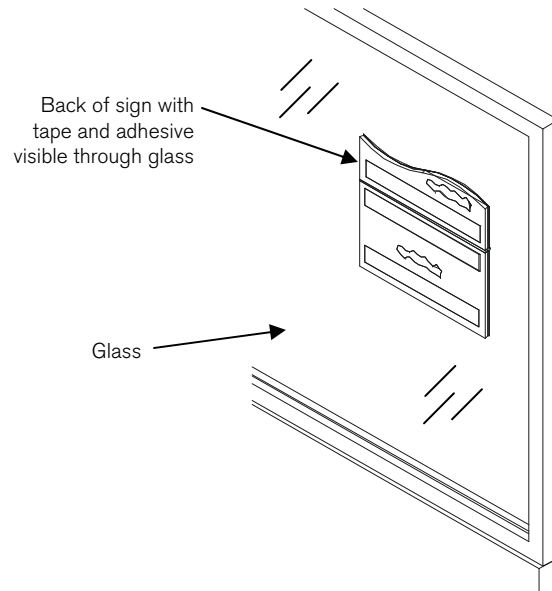


K14

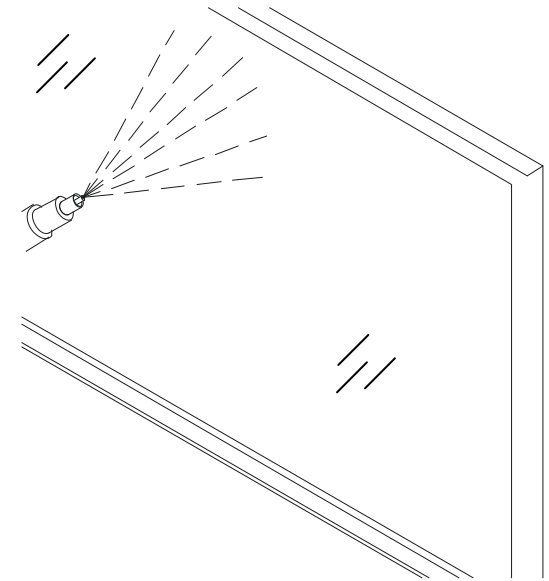
Recommended Cleaning Materials:
 Lint Free Cloth or Wipes
 Novus® 1 Plastic Cleaner and Polish

K14 - Laminate Window Backers

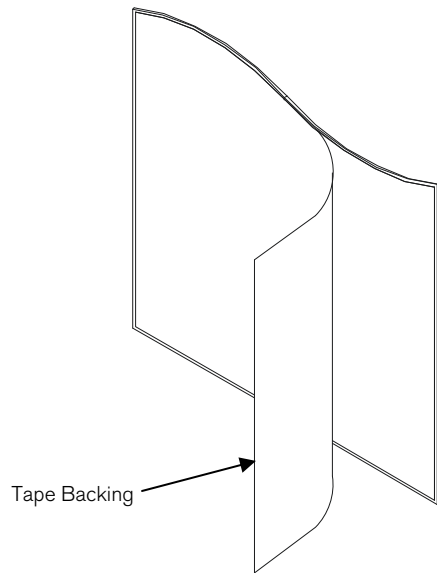
Step 1:
 After sign is installed, check the size of backer against outline of installed sign.



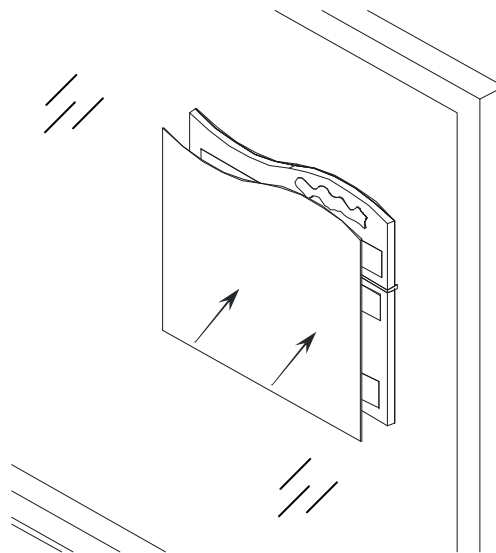
Step 2:
 Clean glass surface.



Step 3:
 Remove tape backing.



Step 4:
 Press backer to window visually aligning backer to edges of sign.



Step 5:
 Remove finger prints from window and backer using recommended cleaning materials. DO NOT use ammonia or alcohol based cleaners.

