



K11 Hardware Kit Includes:

- #10-24 Drywall Toggle (2) 900-01024
- #10-24x2.5" Machine Screw (2) 900-01023
- #10 Wall Anchor (2) 900-01028
- #10x1.5" Sheet Metal Screw (2) 900-01029
- #50 Hex Key (1) 900-01031
- Cap and Set Screw Assembly (3/8" cap, 1/4-20x5/8 set screw) Packaged Separately, Shown for ref. only.

Materials/Tools Required:

Pencil / Level / Tape Measure / Hammer
 Drill with 7/32" bit or 1/2" bit (see Step 2)
 Phillips Head bit

Recommended Cleaning Materials:

Lint Free Cloth or Wipes
 Novus® 1 Plastic Cleaner and Polish

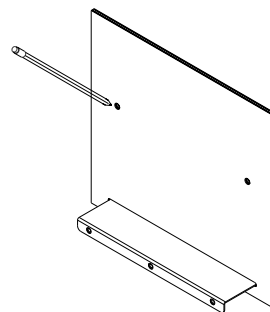
Location Requirements:

See ADA mounting height requirements page.

For more information visit:
www.ada.gov/2010adastandards_index.htm

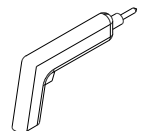
K11 - NEST-Chart Holder

Step 1:
 Place Chart Holder on wall with level at desired location and transfer desired mounting holes in panel to wall with pencil.

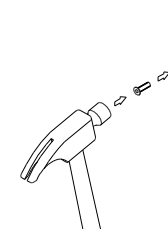


Step 2:
 At center of pencil marks, drill holes using method A or B, depending on wall conditions as noted below:

- A. For concrete/masonry installation, the recommended mounting hardware is a wall anchor. Drill 7/32" diameter holes. Install anchors per Step 3a.
- B. For drywall installation, the recommended mounting hardware is a drywall toggle. Drill 1/2" diameter holes and deburr them. Insert toggles per Step 3b.

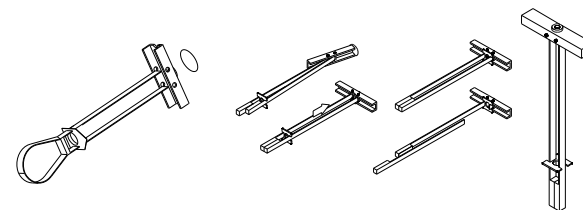


Step 3a: Wall Anchors
 Drive anchors into masonry wall and seat flush. Proceed to Step 4.

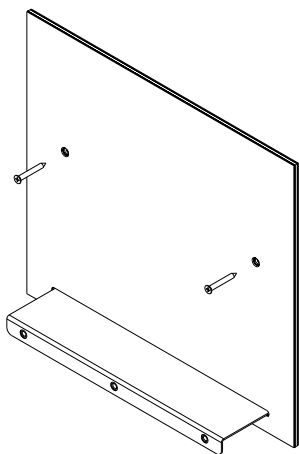


Step 3b: Drywall Toggles

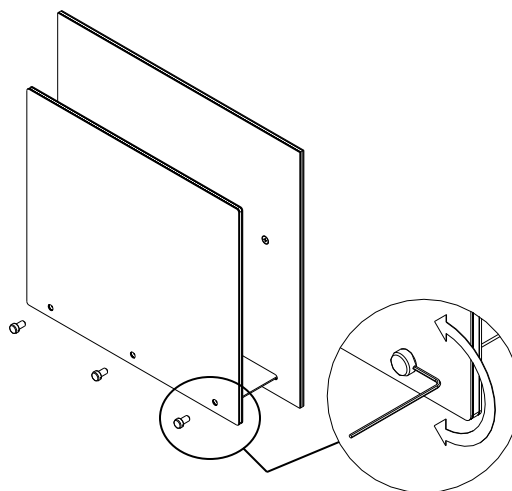
Insert toggles into holes. Cinch retaining ring until tight against wall and seated in each hole. Break off excess plastic. Proceed to Step 4.



Step 4:
 Attach Chart Holder (with metal bracket attached) to wall using #10 flat head screws (machine screws if using drywall toggles, sheet metal screws if using wall anchors).



Step 5:
 Attach Chart Holder front to bracket at (3) hole locations using cap and set screw assemblies. Use #50 hex key to tighten cap and set screw assembly snug against front panel.



Step 6:
 Remove finger prints from sign faces and edges using recommended cleaners. DO NOT use ammonia or alcohol based cleaners.

