



K34 Hardware Kit Includes:

- #14 Wall Anchor (2) 900-331617
- Nylon Washer, 0.31x0.50"OD (2) 900-95606A430
- Decorative Screw, #14x1.57" (2) 900-BW0740UHDNI
- Mounting Template

Note: Multiple K34 kits are supplied to match the holes count per sign.

Materials/Tools Required:

- Tape
- Level
- Pencil
- Tape Measure
- Hammer
- Drill with 5/16" drill bit
- 4mm hex drive bit

Recommended Cleaning Materials:

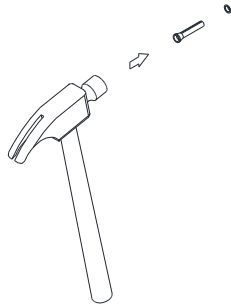
- Lint Free Cloth or Wipes
- Fantastik® All-Purpose Heavy Duty Cleaner

Important Installation Guidelines:

1. A minimum of 1/4" spacing between each sign is required when mounting adjacent to each other.

Step 3:

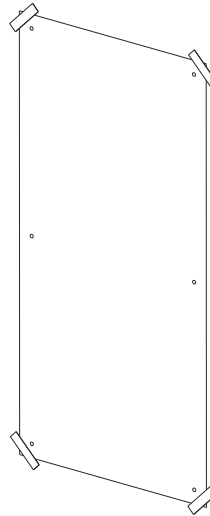
Remove template from wall, deburr holes, and install #14 wall anchors into holes, seated flush to wall, using hammer to drive anchors into holes in wall.



K34 - MOXIE—Decorative Security Mount Installation

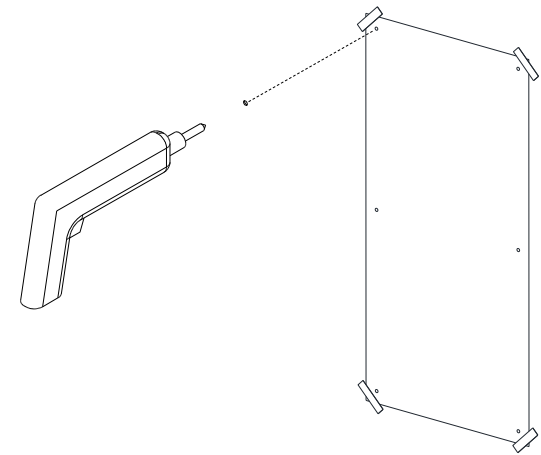
Step 1:

Tape template on wall at desired location, using a level to ensure template is level/plumb.



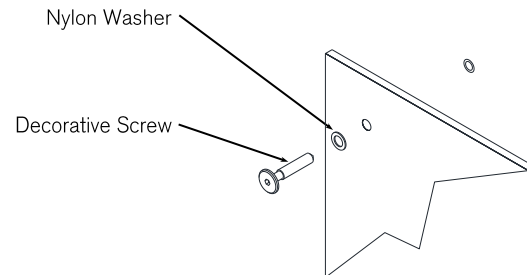
Step 2:

At center of hole marks in template drill 5/16" diameter holes by 1-5/8" deep into wall.



Step 4:

Carefully position sign flush against wall, aligning holes in sign with anchors in wall. Using drill with 4mm hex drive bit, install decorative screws and nylon washers to secure sign flush to wall. DO NOT overtighten screws.



Step 5:

Remove finger prints from sign face and edges using recommended cleaning materials. DO NOT scrub when cleaning sign. DO NOT use ammonia or abrasive materials.

