



K75 - PPE Station Freestanding Assembly

K75 Hardware Kit Includes:

#8x3/4" Sheet Metal Screw (11) 900-90356A267
 Notice Holder Jig (Ref) AJSS-11X17NH-JIG

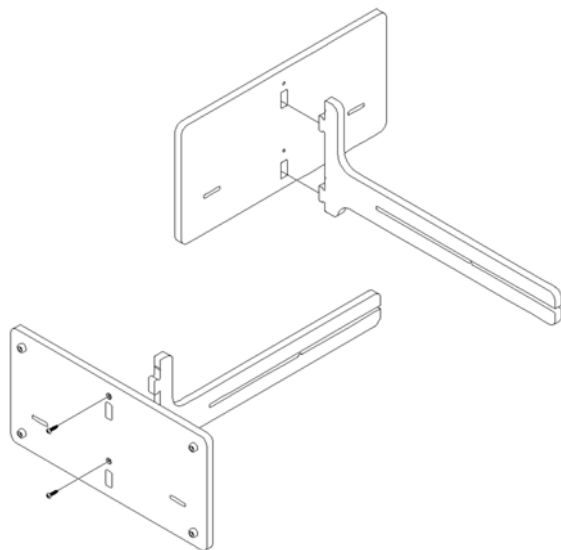
Materials/Tools Required:

Phillips Head Screwdriver
 GE RTV 108 Clear Silicone Adhesive *
 *Available from Takeform

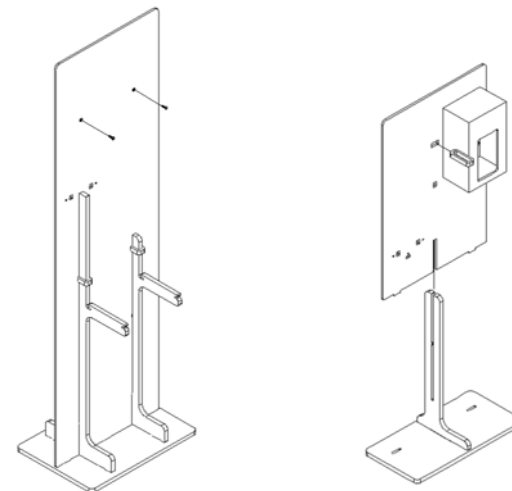
Recommended Cleaning Materials:

Lint Free Cloth or Wipes
 Fantastik® All-Purpose Cleaner

Step 1:
 Place parts on their side as shown. Insert legs into holes in base. Attach base with screws provided.

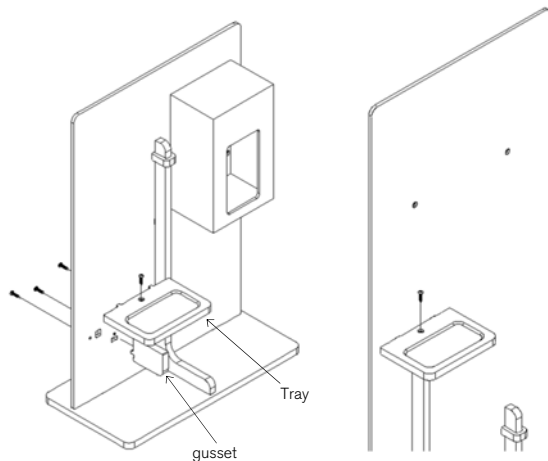


Step 2:
 Slide panel into slot in legs as shown at right.
 If PPE Station is freestanding, screw legs to panel as shown.

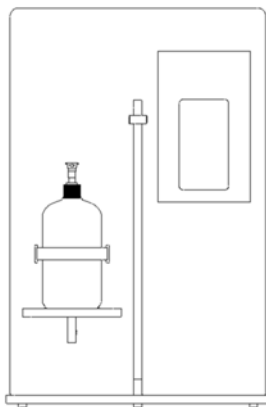


Step 3:
 If counter-top version, screw tray and gusset together. Insert assembly into holes in backer panel and attach using screws provided.

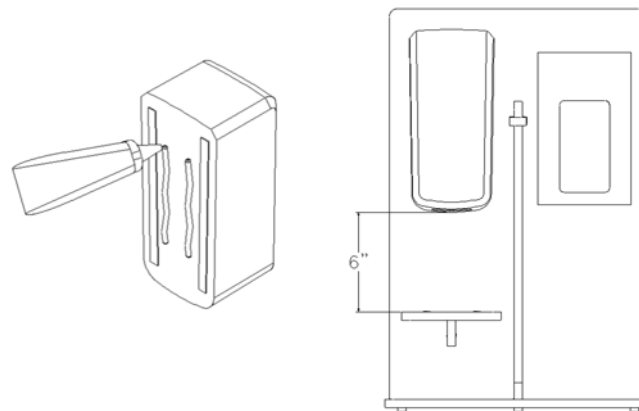
If assembling freestanding version, tray rests on top of leg. Screw tray to leg as shown at right.



Step 4a:
 Strap pump bottle in place using Velcro strap. (if configuration supports pump bottle)



Step 4b:
 Attach dispenser to panel. (if configuration supports sanitizer dispenser). Apply two .25" beads of silicone adhesive approximately 5" long between the preinstalled tape. Remove tape liner and install dispenser on center 6" over tray at minimum. Press dispenser firmly and evenly to activate tape. Wait 10 hours before use.





K75 Hardware Kit Includes:

#8x3/4" Sheet Metal Screw (11) 900-90356A267
Notice Holder Jig (Ref) AJSS-11X17NH-JIG

Materials/Tools Required:

Phillips Head Screwdriver
GE RTV 108 Clear Silicone Adhesive *
*Available from Takeform

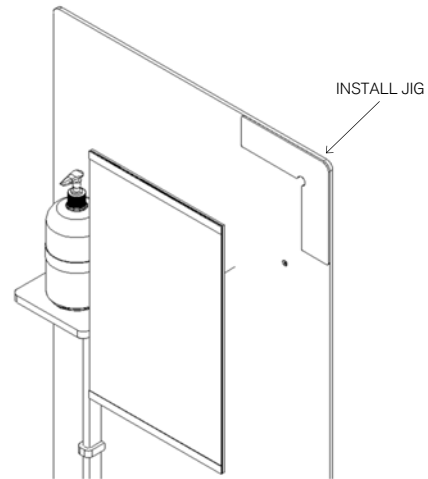
Recommended Cleaning Materials:

Lint Free Cloth or Wipes
Fantastik® All-Purpose Cleaner

K75 - PPE Station Freestanding Assembly

Step 5:

If PPE Station configuration includes a notice holder, align included jig with corner of panel as shown below. Remove liners from tape squares on back of notice holder and apply notice holder using jig for alignment. Notice holder cannot be repositioned after placed.



Step 6:

Place PPE Station in final position.

Remove finger prints using recommended cleaning materials.

