





**K35 Hardware Kit Includes:**

- 1/4" Lock Washer (2) 900-92146A029
- 1/4-20x1/2" Machine Screw (2) 900-91772A537
- 1/4-20x1" Drop-in Anchor (2) 900-01105
- 1/4" Anchor Setting Tool \* (REF) 900-01106

\* Above tool bagged separately, 1-3 included per job.

Note: Multiple K35 kits are supplied to match the holes count in mounting rail. Only two end caps required per sign.

**Materials/Tools Required:**

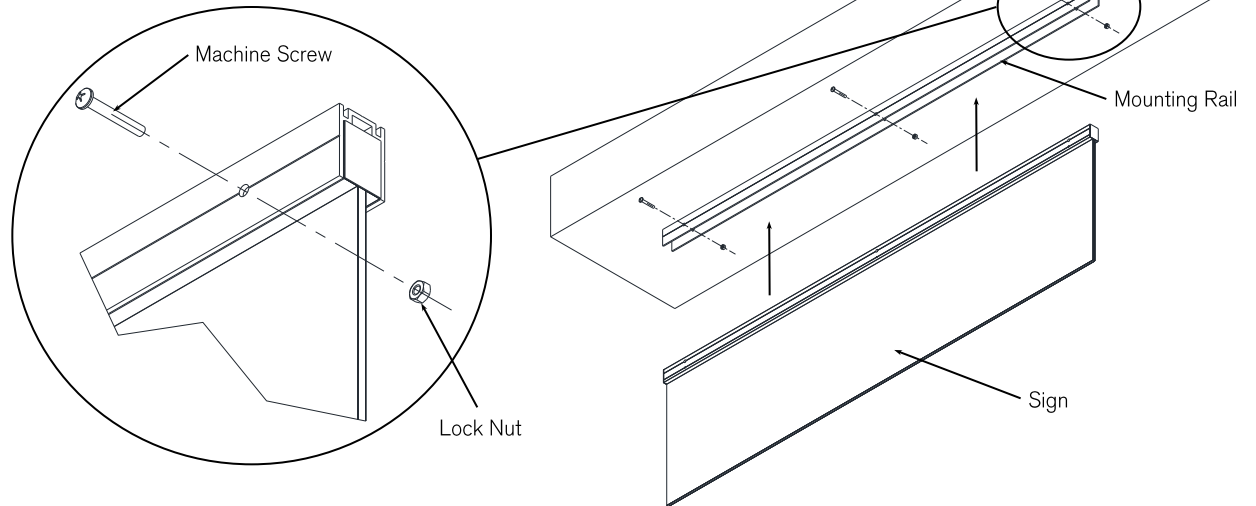
- Level / Pencil / Tape Measure / Hammer
- 7/16" Wrench or Adjustable Wrench
- Drill with 3/8" masonry drill bit
- #3 Phillips Head bit with 2" extension

**Recommended Cleaning Materials:**

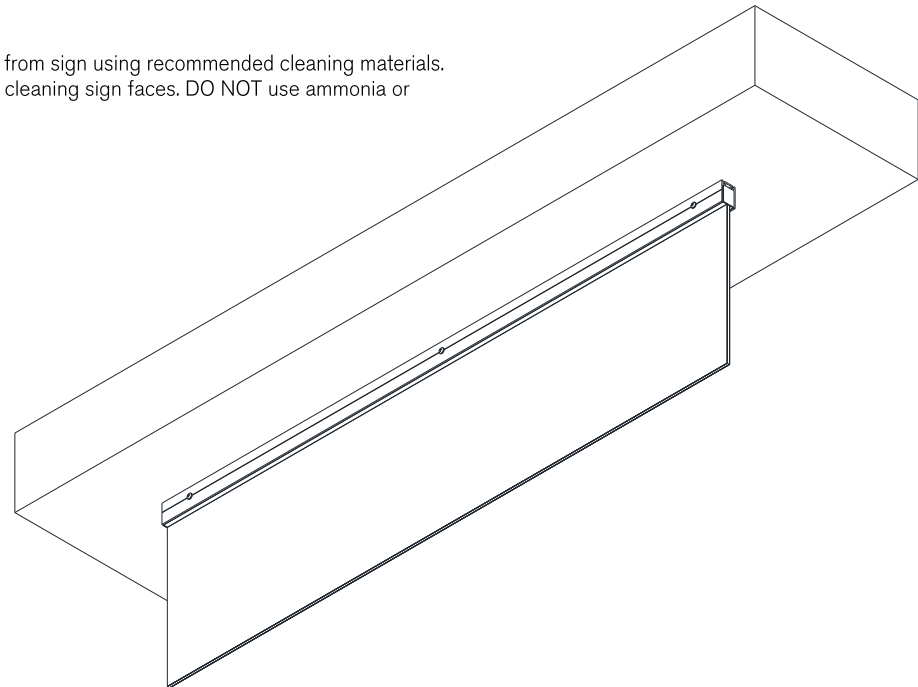
- Lint Free Cloth or Wipes
- Fantastik® All-Purpose Heavy Duty Cleaner

**K35 - TRANSIT — Ceiling Flush Overhead Installation**

**Step 4:**  
Insert side of sign into mounting rail and fasten sign to mounting rail using 1/4-20 x 1-3/4" long machine screws and 1/4-20 lock nuts (from Step 1).



**Step 5:**  
Remove finger prints from sign using recommended cleaning materials. DO NOT scrub when cleaning sign faces. DO NOT use ammonia or abrasive materials.



**K35 Hardware Kit Includes:**

- 1/4" Lock Washer (2) 900-92146A029
- 1/4-20x1/2" Machine Screw (2) 900-91772A537
- 1/4-20x1" Drop-in Anchor (2) 900-01105
- 1/4" Anchor Setting Tool \* (REF) 900-01106

\* Above tool bagged separately, 1-3 included per job.

Note: Multiple K35 kits are supplied to match the holes count in mounting rail. Only two end caps required per sign.

**Materials/Tools Required:**

- Level / Pencil / Tape Measure / Hammer
- 7/16" Wrench or Adjustable Wrench
- Drill with 3/8" masonry drill bit
- #3 Phillips Head bit with 2" extension

**Recommended Cleaning Materials:**

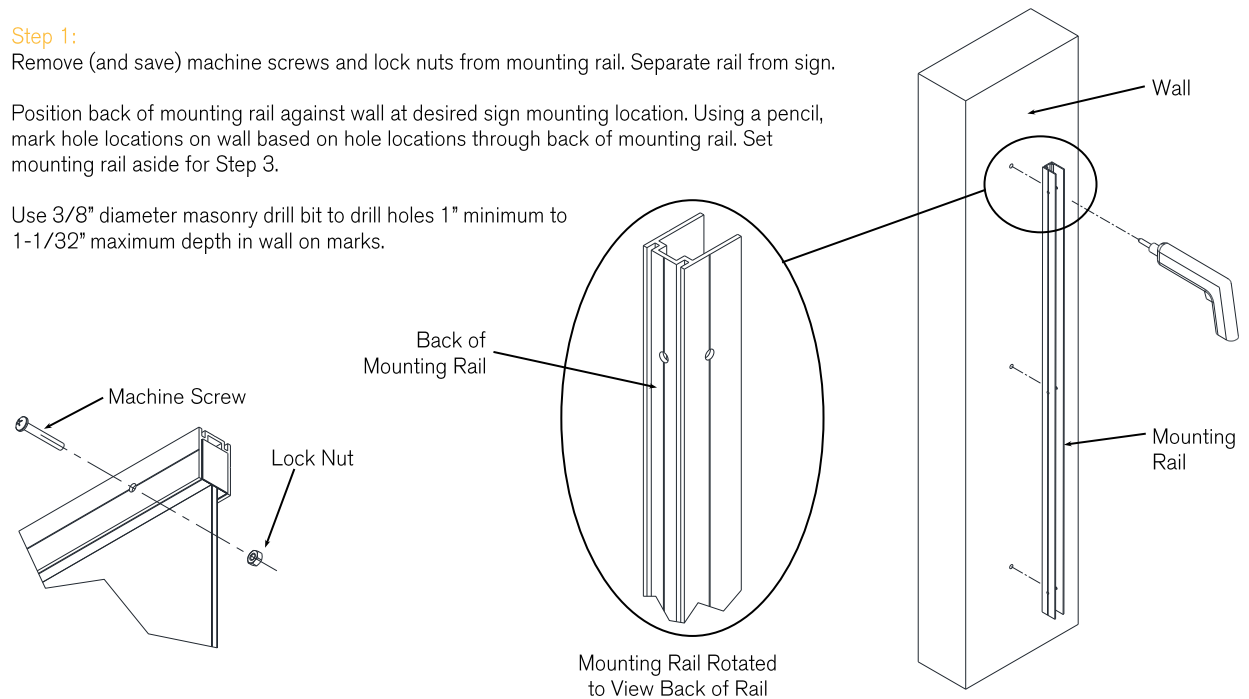
- Lint Free Cloth or Wipes
- Fantastik® All-Purpose Heavy Duty Cleaner

**K35 - TRANSIT—Flag Mount Installation**

**Step 1:**  
Remove (and save) machine screws and lock nuts from mounting rail. Separate rail from sign.

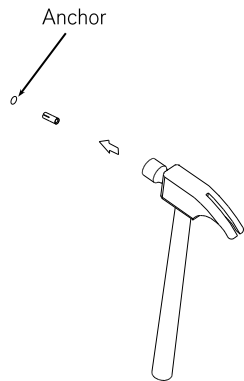
Position back of mounting rail against wall at desired sign mounting location. Using a pencil, mark hole locations on wall based on hole locations through back of mounting rail. Set mounting rail aside for Step 3.

Use 3/8" diameter masonry drill bit to drill holes 1" minimum to 1-1/32" maximum depth in wall on marks.



**Step 2a:**

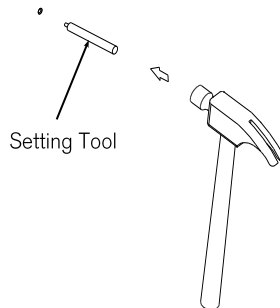
Insert anchors firmly into holes in ceiling, threaded end facing out, and tap remaining head of anchors into holes using hammer to seat flush. Proceed to Step 2b.



**Step 2b:**

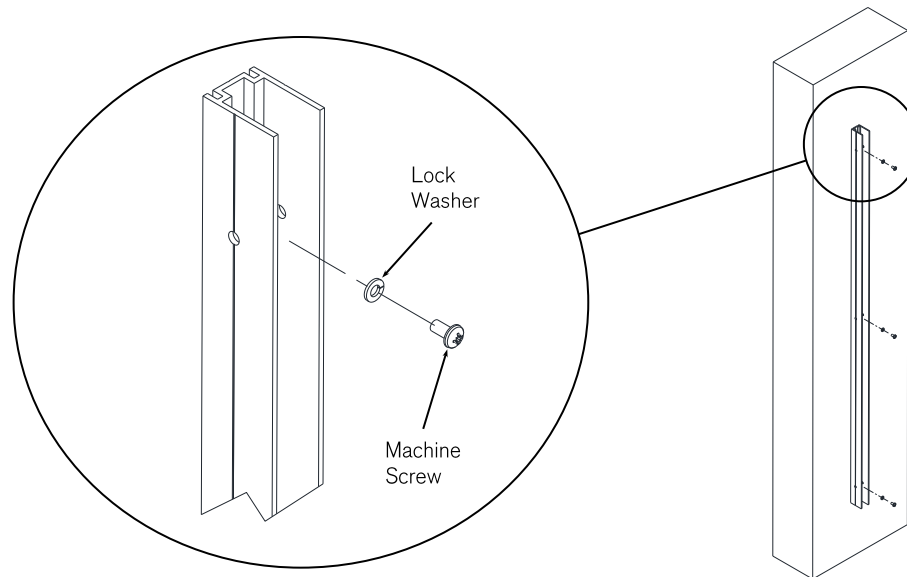
Locate setting tool packaged separately. This is required to properly set anchors into concrete.

For each anchor, insert smaller diameter end of setting tool into threaded end of anchor. While maintaining setting tool in line with anchor, hammer end of setting tool, driving it into anchor until shoulder protrudes 1/8" to 1/16" from end of anchor.



**Step 3:**

Install mounting rail flush against wall using 1/4" lock washers and 1/4-20 x 1/2" long machine screws.



**K35 Hardware Kit Includes:**

- 1/4" Lock Washer (2) 900-92146A029
- 1/4-20x1/2" Machine Screw (2) 900-91772A537
- 1/4-20x1" Drop-in Anchor (2) 900-01105
- 1/4" Anchor Setting Tool \* (REF) 900-01106

\* Above tool bagged separately, 1-3 included per job.

Note: Multiple K35 kits are supplied to match the holes in mounting rail. Only two end caps required per sign.

**Materials/Tools Required:**

- Level / Pencil / Tape Measure / Hammer
- 7/16" Wrench or Adjustable Wrench
- Drill with 3/8" masonry drill bit
- #3 Phillips Head bit with 2" extension

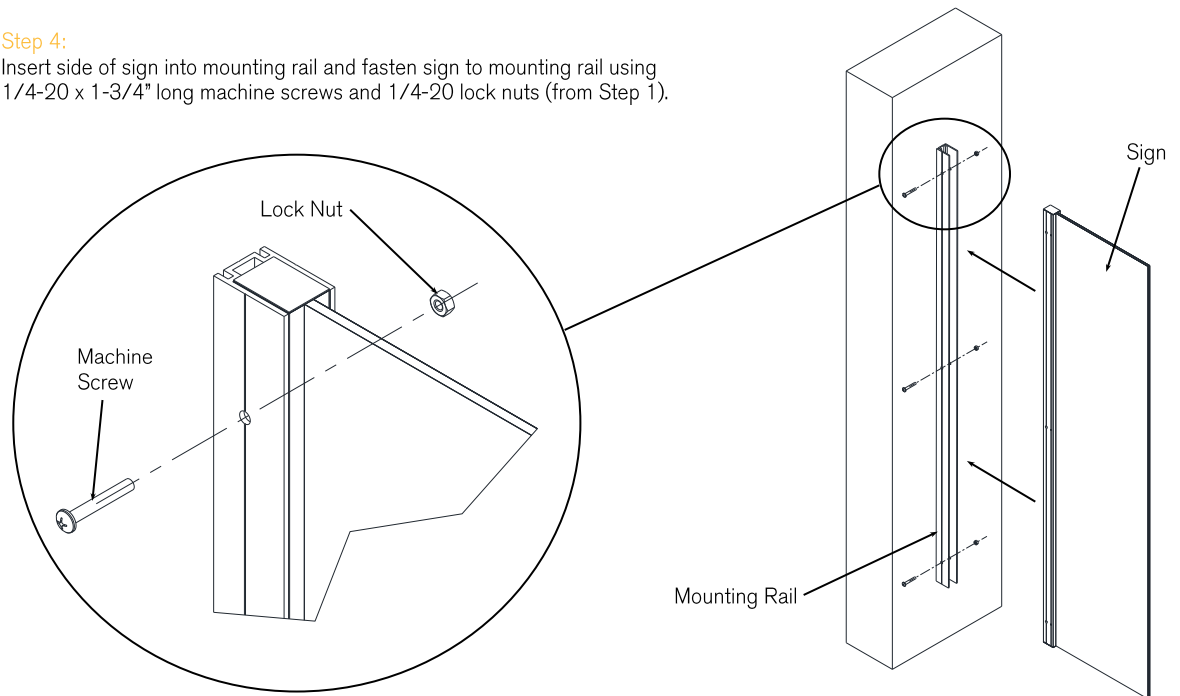
**Recommended Cleaning Materials:**

- Lint Free Cloth or Wipes
- Fantastik® All-Purpose Heavy Duty Cleaner

**K35 - TRANSIT—Flag Mount Installation**

**Step 4:**

Insert side of sign into mounting rail and fasten sign to mounting rail using 1/4-20 x 1-3/4" long machine screws and 1/4-20 lock nuts (from Step 1).



**Step 5:**

Remove finger prints from sign using recommended cleaning materials. DO NOT scrub when cleaning sign faces. DO NOT use ammonia or abrasive materials.

