

Hardware Kit Includes:

See Rendering
 Mounting Template

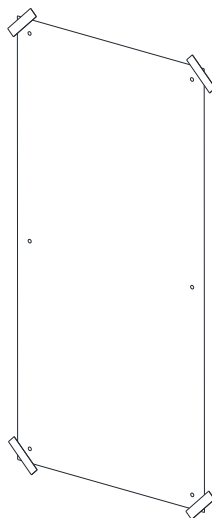
Materials/Tools Required:

Tape / Level / Pencil / Tape Measure / Hammer
 Drill with 7/32" drill bit or 1/2" drill bit (see Step 2)
 5/32" hex drive bit (see Step 3a)

Recommended Cleaning Materials:

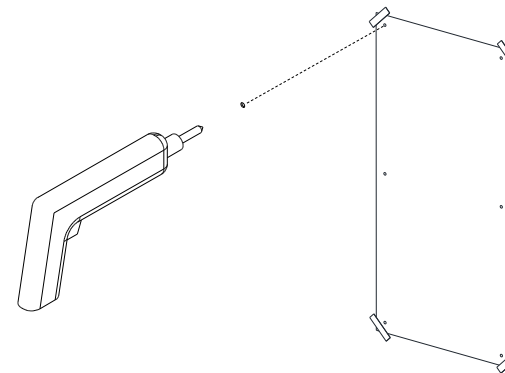
Lint Free Cloth or Wipes

Step 1:
 Tape template on wall at desired location, using a level to ensure bottom of template is level/plumb.



Step 2:
 At center of hole marks in template drill holes using method A or B, depending on wall conditions as noted below:

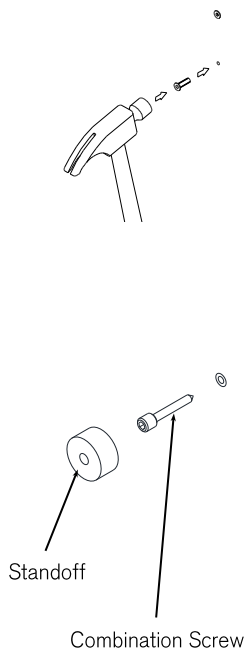
- A. For concrete/masonry installation, the recommended mounting hardware is a wall anchor. Drill 7/32" diameter holes. Install anchors and standoffs per Step 3a.
- B. For drywall installation, the recommended mounting hardware is a drywall toggle. Drill 1/2" diameter holes and deburr them. Install toggles and standoffs per Step 3b.



Step 3a: Wall Anchors and Standoffs Installation

Using hammer, drive anchors into masonry wall and seat flush.

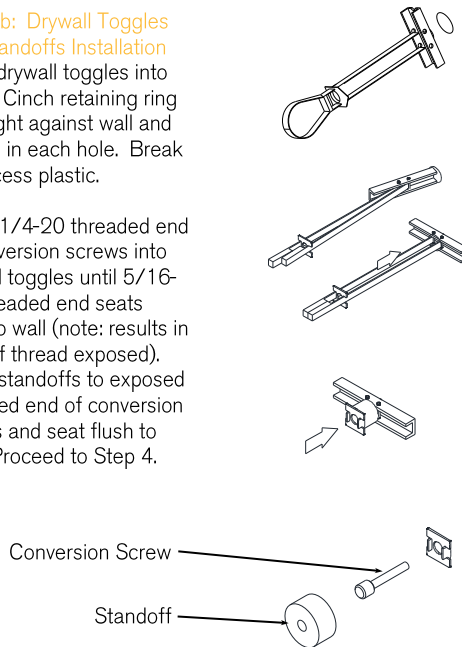
Using 5/32" hex drive bit, screw #8 end of the combination screws into wall anchors until 5/16-18 threaded end seats flush to wall (note: results in 1/4" of thread exposed). Install standoffs to exposed threaded end of combination screws and seat flush to wall. Proceed to Step 4.



Step 3b: Drywall Toggles and Standoffs Installation

Insert drywall toggles into holes. Cinch retaining ring until tight against wall and seated in each hole. Break off excess plastic.

Install 1/4-20 threaded end of conversion screws into drywall toggles until 5/16-18 threaded end seats flush to wall (note: results in 1/4" of thread exposed). Install standoffs to exposed threaded end of conversion screws and seat flush to wall. Proceed to Step 4.



Step 4:
 Carefully position sign flush against standoffs, aligned with holes. Install set screw and cap to sign and standoffs. Hand tighten caps flush against sign to secure sign flush against standoffs.

Step 5:
 Remove finger prints from sign face and edges using recommended cleaning materials. DO NOT scrub when cleaning sign. DO NOT use ammonia or abrasive materials.

