



11601 Maple Ridge Rd, Medina, NY, 14103
 P 800.528.1398 F 585.798.8889
 www.takeform.net

K54 Hardware Kit Includes:

- #10 Wall Anchor (2) 900-01028
- #10x1.5" Sheet Metal Screw (2) 900-1172936
- Non-Wedge Cleat Puck (2) 900-01112
- Mounting Template

Note: Multiple K54 kits are supplied to match the cleat count per sign.

Materials/Tools Required:

Tape / Level / Pencil / Tape Measure / Hammer
 Drill with 7/32" bit and Phillips Head bit

Recommended Cleaning Materials:

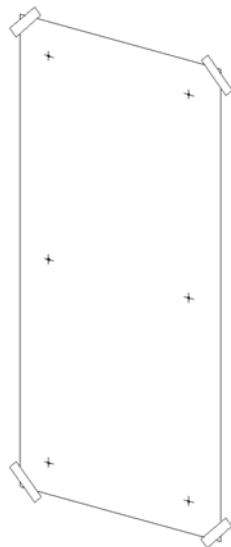
Lint Free Non-abrasive Cloth or Wipes
 Fantastik® All-Purpose Heavy Duty Cleaner

Important Installation Guidelines:

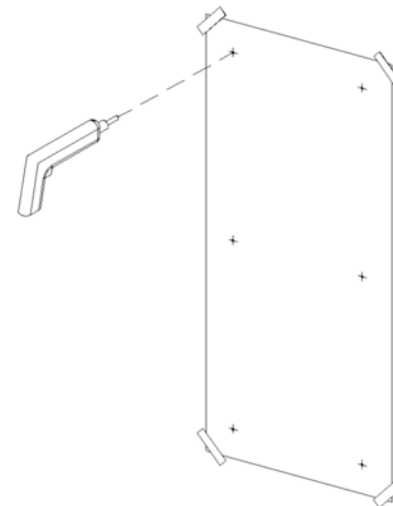
1. A minimum clearance of 2" from ceiling to top of sign (in final position on wall) is required for installation.
2. A minimum of 1/4" spacing between each sign is required when mounting adjacent to each other.

K54 - Universal Cleat Mount Installation

Step 1:
 Tape template on wall at desired location, using a level to ensure bottom of template is level/plumb.

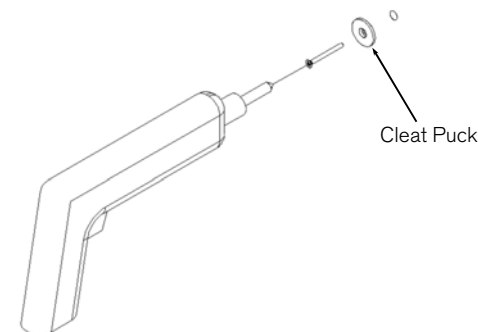
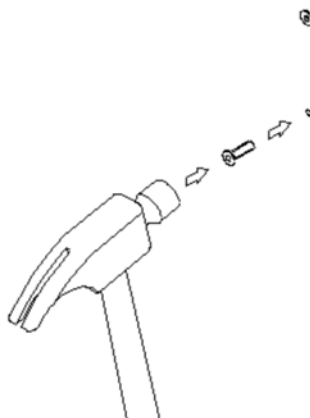


Step 2:
 At center of hole marks on template drill 7/32" diameter holes into concrete, masonry or drywall.



Step 3:
 Using hammer, drive anchors into wall and seat flush.

Using drill with phillips head bit, screw #10 sheet metal screws through counterbored holes of cleat pucks and into wall anchors. Ensure that cleat pucks are seated flush to wall with counterbored side facing out away from wall.





K54 Hardware Kit Includes:

- #10 Wall Anchor (2) 900-01028
- #10x1.5" Sheet Metal Screw (2) 900-1172936
- Non-Wedge Cleat Puck (2) 900-01112
- Mounting Template

Note: Multiple K54 kits are supplied to match the cleat count per sign.

Materials/Tools Required:

Tape / Level / Pencil / Tape Measure / Hammer
 Drill with 7/32" bit and Phillips Head bit

Recommended Cleaning Materials:

Lint Free Non-abrasive Cloth or Wipes
 Fantastik® All-Purpose Heavy Duty Cleaner

Important Installation Guidelines:

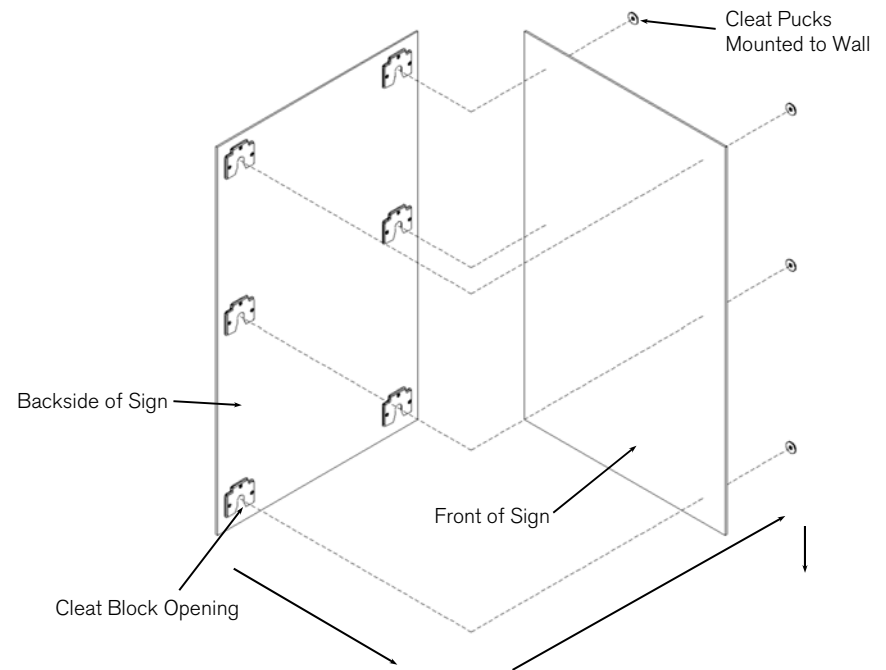
1. A minimum clearance of 2" from ceiling to top of sign (in final position on wall) is required for installation.
2. A minimum of 1/4" spacing between each sign is required when mounting adjacent to each other.

K54 - Universal Cleat Mount Installation

Step 4:
 Verify if locking option is included on backside of sign by referring to Locking Option Instructions on the bottom of this page. If no locking option exists, proceed to Step 6.

Step 5:
 Carefully position sign flush against wall with cleat block openings on backside of sign aligned over cleat pucks. Slide sign down into position to engage contact with all cleat pucks, securing sign against wall.

Step 6:
 Remove finger prints from sign face and edges using recommended cleaning materials. DO NOT scrub when cleaning sign. DO NOT use ammonia or abrasive materials.

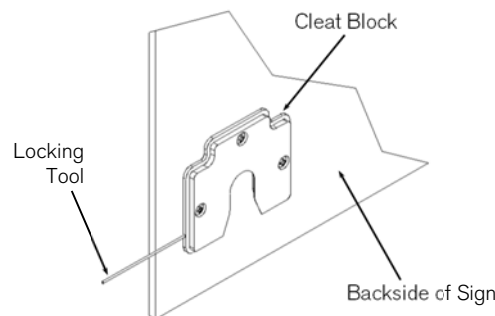


Locking Option Instructions

Part A: Disengaging Lock

If locking tool is included in cleat block on backside of sign (look for 1/16" metal rod protruding from cleat block), carefully remove tape holding tool in place for shipping.

Pull locking tool out, away from cleat block, until it stops. This disengages the locking feature, allowing the sign to be installed. Proceed with Step 6 on the top of this page to install sign to wall. Make sure to re-engage locking feature, per Part B, once installation to wall is complete.



Part B: Engaging Lock

Push locking tool inward, towards cleat block, until it stops. This engages the locking feature, preventing the sign from being removed from the wall.

Note: In the engaged position the end of the tool should be hidden just inside and behind sign when viewing sign from front view.

