

K64 Hardware Kit Includes:

- White Cotton Gloves (2 pairs) 900-S7892M
- Plastics Cleaner, 8 oz. (1) 150-plastic cleaner
- 5/64" Hex Key (1) 900-01030

Materials Required:

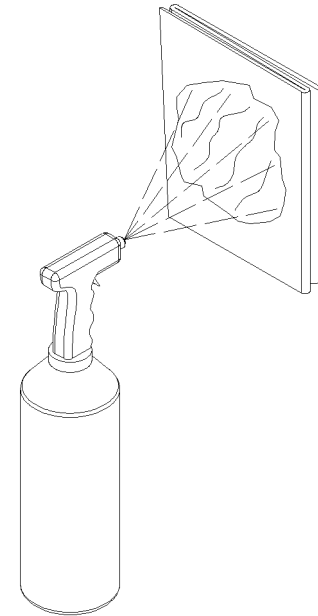
Lint Free Cloth or Wipes

K64 - Lucid Care Kit

Step 1:

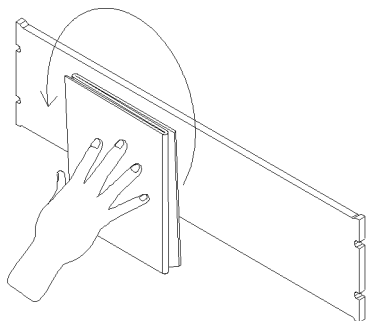
Wear cotton gloves whenever handling tiles to prevent additional cleaning during installation. If tiles become dirty (ex: fingerprints, smudges, dust particles, etc.) use cleaner to clean tiles before assembling them into rails. If attempting to clean tiles after they are assembled into rails, it becomes difficult to access and clean backside of tiles.

To start, spray cleaner onto clean dry cloth until cloth is adequately moistened (about 3 to 4 sprays).



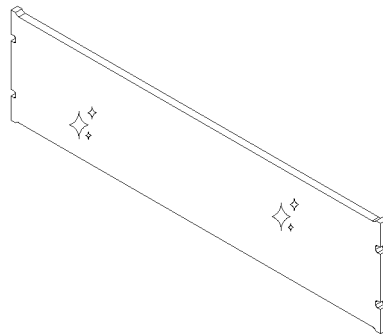
Step 2:

Wipe tile in circular motion to remove fingerprints and prevent streaking on the tile.



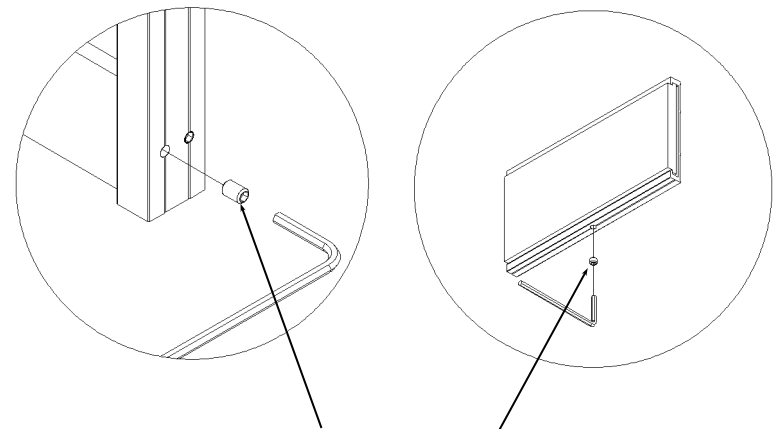
Step 3:

After tile has been cleaned, use a dry cloth to wipe away any excess cleaner.



Tile Adjustment:

Hex key included for adjusting tiles in rails and c-channels as needed.



Set screws that may need adjustment