

Hardware and Hex Key Tool included in packaging for assembly and clock operation (no additional tools required):

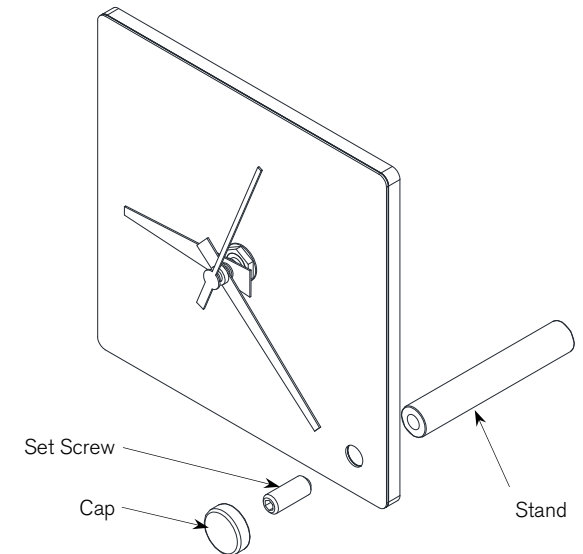
3/8" Cap, Natural	(1)	SLC-062-G1
3/8"x2.45" Standoff	(1)	SLS-038-245-G1
Set Screw, 1/4-20x5/8	(1)	900-SETSCR-25-.625
#50 Hex Key	(1)	900-01032
AA 1.5V Battery	(1)	900-0258320

Recommended Cleaning Materials:
 Lint Free Cloth or Wipes
 Formula 409® All-Purpose Cleaner or similar

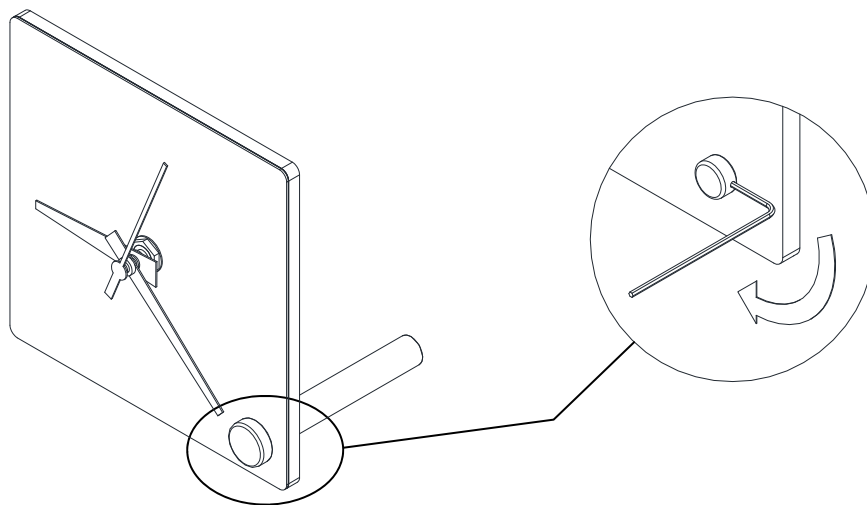
Step 1:
 Remove hardware from packaging.

Step 2:
 Hand-tighten set screw (hex socket head end only) into threaded side of 3/8" cap.

Step 3:
 Insert set screw side of hardware from step 1 into front bottom right hole in clock face and hand-tighten threaded end of 3/8" X 2.45" long standoff to set screw from backside of clock.



Step 4:
 Hold standoff firmly with side of clock against flat surface such as a desktop to prevent it from rotating. Insert short end of the provided Hex Key Tool into side hole in the 3/8" cap and rotate clockwise until hardware is securely fastened together.



Step 5:
 Install battery, oriented per diagram in battery compartment, and set time using adjustment knob.

Step 6:
 Remove finger prints from clock face and edges using recommended cleaning materials. DO NOT use ammonia or alcohol based cleaners.

