



11601 Maple Ridge Rd, Medina, NY, 14103
 P 800.528.1398 F 585.798.8889
 www.takeform.net

K65 Hardware Kit Includes:

White Cotton Gloves (1 pair) 900-S7892M
 5/64" Hex Key (1) 900-01030

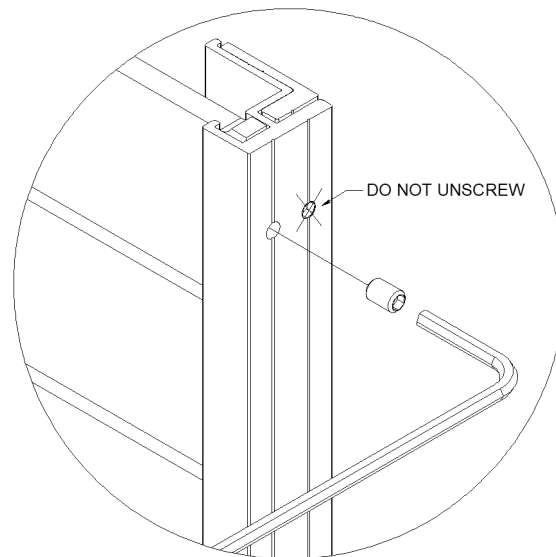
K65 - Lucid Tile Replacement Kit

Step 1:
 Wear cotton gloves whenever handling tiles to prevent additional cleaning during installation.

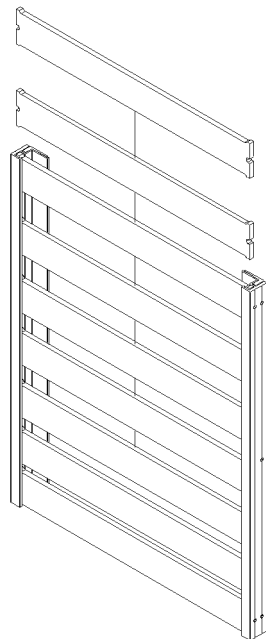
To start, back out only the TOP FRONT set screws to allow the tiles to be slid out of the top of the rail system.

DO NOT loosen the back set screws closest to the wall. These set screws hold the rails together and loosening them will cause the entire sign of tiles and outer rails to fall off the wall.

DO NOT loosen the bottom front set screws, which also hold tiles in place. Loosening these set screws will cause all the tiles to fall out of the bottom of the sign. Only remove these set screws if all other tiles are already removed from the rail system and the bottom tile needs to be taken out and replaced or relocated.



Step 2:
 Remove necessary tiles by sliding tiles up and out of the top of the rail system. Once the existing tiles are removed from the rail system, insert new tiles in correct order. Tiles will again be inserted from the top of the rail system in the correct order desired.



Step 3:
 Once all tiles have been placed in rails, thread set screws back in place to secure the tiles. Set screws should only be tightened until the head of the set screw is flush with the outside face of the outer rail, such that tile moves loosely in rail but is locked from being able to be removed.

