



**K76 Hardware Kit Includes:**

- #8x3/4" Sheet Metal Screw (4) 900-90356A267
- #10-24 Drywall Toggle (4) 900-01024
- #10-24x2.5" Machine Screw (4) 900-110170359
- #10 Wall Anchor (4) 900-01028
- #10x1.5" Sheet Metal Screw (4) 900-1172936
- Non-Wedge Cleat Puck (4) 900-01112
- Mounting Template

**Materials/Tools Required:**

Tape / Level / Pencil / Tape Measure / Hammer  
 Drill with 7/32" and 1/2" drill bit and Phillips Head bit

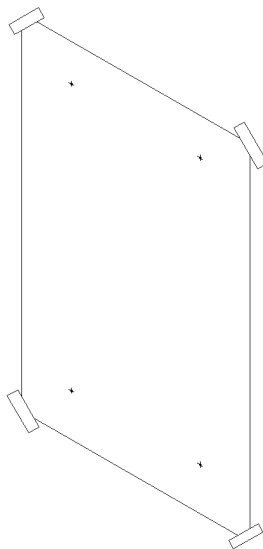
**Recommended Cleaning Materials:**

Lint Free Cloth or Wipes  
 Fantastik® All-Purpose Cleaner

**K76 - PPE Station Cleat Mount Installation**

**Step 1:**

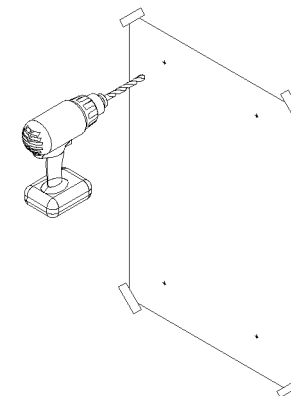
Tape template on wall at desired location. Use a level to ensure that template is level/plumb.



**Step 2:**

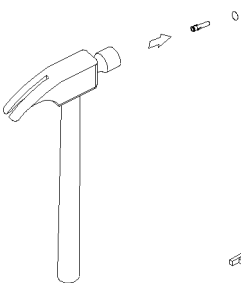
Mark holes. Drill using method A or B below:

- A. For concrete/masonry installation, drill 7/32" holes. Install anchors per Step 3a.
- B. For drywall installation, drill 1/2" holes and deburr them. Insert toggles per Step 3b.



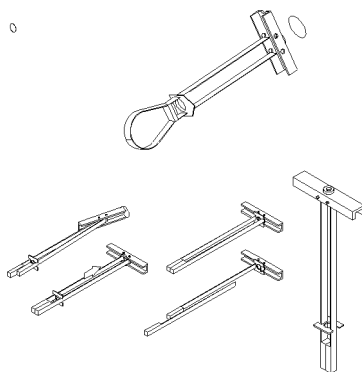
**Step 3a: Wall Anchors**

Drive anchors into masonry wall and seat flush.



**Step 3b: Drywall Toggles**

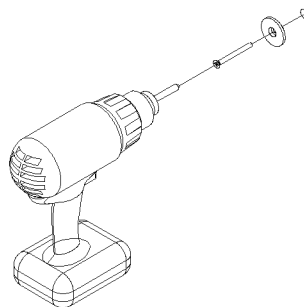
Insert toggles into holes. Cinch retaining ring until tight against wall and seated in holes. Break off excess plastic.



**Step 4: Attach Pucks**

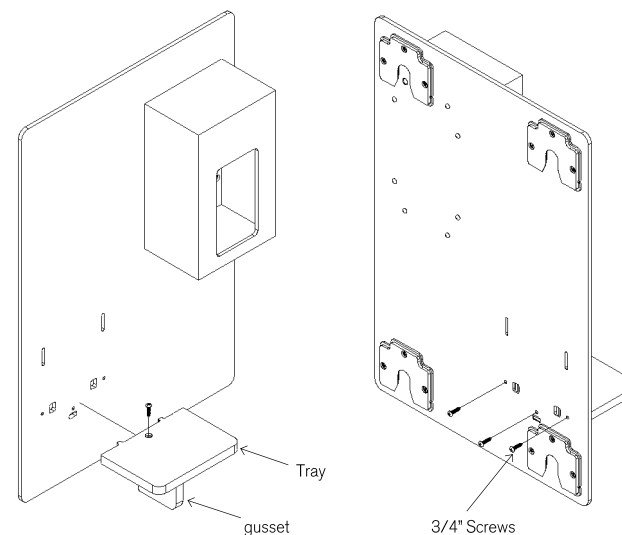
If anchors, use drill with Phillips head bit to install #10 sheet metal screws through counterbored holes of cleat pucks and into wall anchors. Ensure that cleat pucks are seated flush to wall with counterbored side facing away from wall.

If drywall toggles, use drill with Phillips head bit to install #10 pan head machine screws through counterbored holes of cleat pucks and into wall anchors. Ensure that cleat pucks are seated flush to wall with counterbored side facing away from wall.



**Step 5:**

Screw tray and gusset together. Insert assembly into holes in backer panel and attach using screws provided.



**K76 Hardware Kit Includes:**

- #8x3/4" Sheet Metal Screw (4) 900-90356A267
- #10-24 Drywall Toggle (4) 900-01024
- #10-24x2.5" Machine Screw (4) 900-110170359
- #10 Wall Anchor (4) 900-01028
- #10x1.5" Sheet Metal Screw (4) 900-1172936
- Non-Wedge Cleat Puck (4) 900-01112
- Mounting Template

**Materials/Tools Required:**

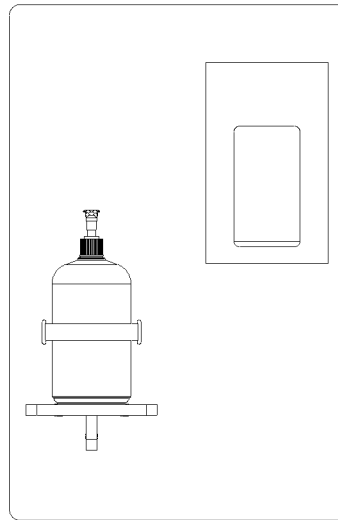
- Tape / Level / Pencil / Tape Measure / Hammer
- Drill with 7/32" and 1/2" drill bit and Phillips Head bit

**Recommended Cleaning Materials:**

- Lint Free Cloth or Wipes
- Fantastik® All-Purpose Cleaner

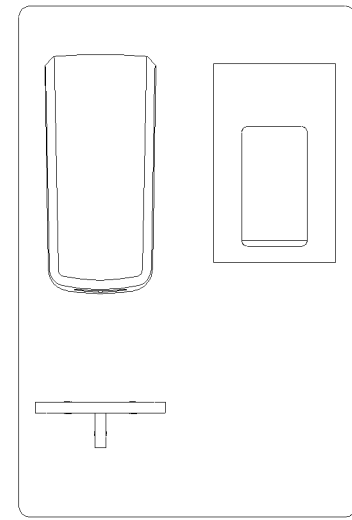
**Step 6a:**

Strap pump bottle in place using Velcro strap. (if configuration supports pump bottle)



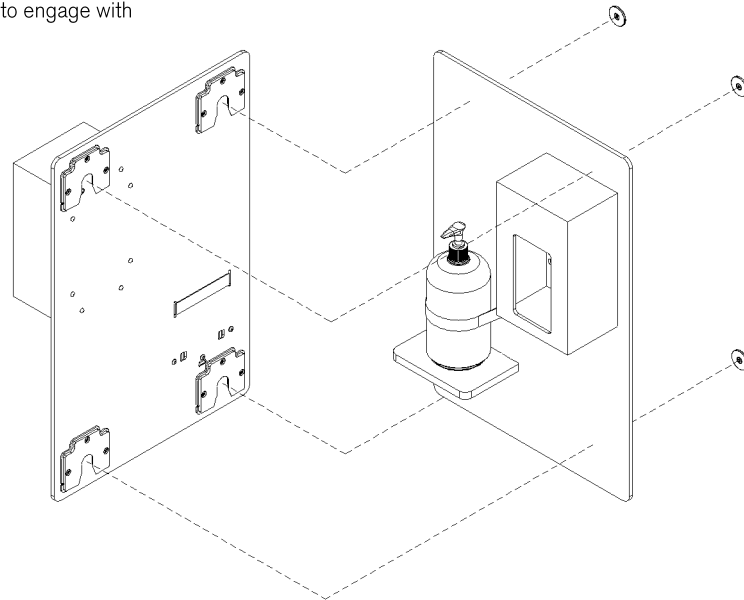
**Step 6b:**

Attach dispenser to panel. (if configuration supports sanitizer dispenser). Align dispenser on center 4-5" over tray.



**Step 7:**

Position unit flush against wall with cleat block openings aligned over pucks. Slide down into position to engage with cleat pucks.



**Step 8:**

Place PPE Station in final position.

Remove finger prints using recommended cleaning materials.

