

**K28 Hardware Kit Includes:**

- 1"OD Cap (2) SLC-CAP9
- 5/16-18 x 7/8" LG Set Screw (2) 900-HDS19
- 1"OD x 3/4" LG Standoff (2) SLS-S100075A
- 1/4-20x5/16-18 Conv. Screw (2) 900-HDCSC3
- 1/4-20 Drywall Toggle (2) 900-01020
- #8x5/16-18 Combo Screw (2) 900-HDCBS1
- #10 Wall Anchor (2) 900-01028
- Mounting Template

Note: Multiple K28 kits are supplied to match the holes count per sign.

**Materials/Tools Required:**

- Tape / Level / Pencil /Tape Measure / Hammer
- Drill with 7/32" drill bit or 1/2" drill bit (see Step 2)
- 5/32" hex drive bit (see Step 3a)

**Recommended Cleaning Materials:**

- Lint Free Cloth or Wipes
- Fantastik® All-Purpose Heavy Duty Cleaner

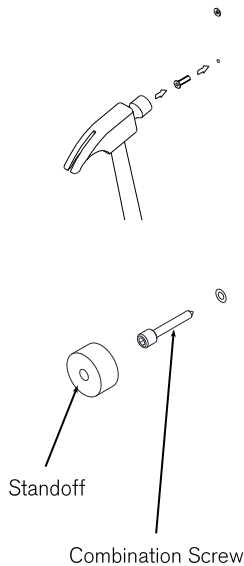
**Important Installation Guidelines:**

1. A minimum of 1/4" spacing between each sign is required when mounting adjacent to each other.

**Step 3a: Wall Anchors and Standoffs Installation**

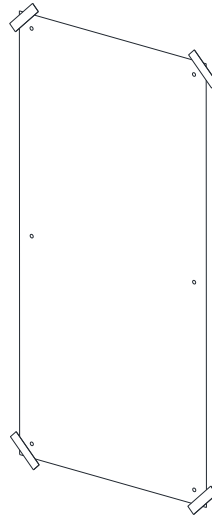
Using hammer, drive anchors into masonry wall and seat flush.

Using 5/32" hex drive bit, screw #8 end of the combination screws into wall anchors until 5/16-18 threaded end seats flush to wall (note: results in 1/4" of thread exposed). Install standoffs to exposed threaded end of combination screws and seat flush to wall. Proceed to Step 4.



**Step 1:**

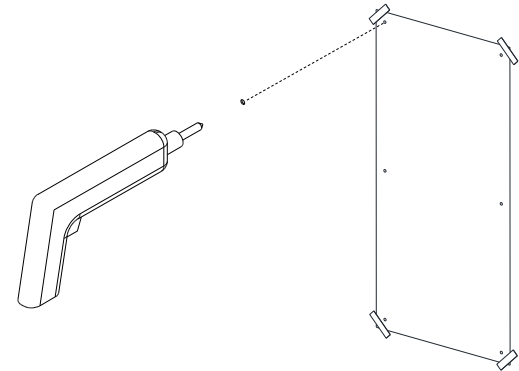
Tape template on wall at desired location, using a level to ensure bottom of template is level/plumb.



**Step 2:**

At center of hole marks in template drill holes using method A or B, depending on wall conditions as noted below:

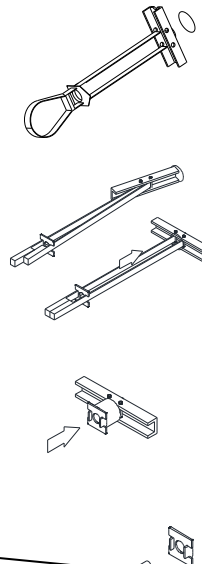
- A. For concrete/masonry installation, the recommended mounting hardware is a wall anchor. Drill 7/32" diameter holes. Install anchors and standoffs per Step 3a.
- B. For drywall installation, the recommended mounting hardware is a drywall toggle. Drill 1/2" diameter holes and deburr them. Install toggles and standoffs per Step 3b.



**Step 3b: Drywall Toggles and Standoffs Installation**

Insert drywall toggles into holes. Cinch retaining ring until tight against wall and seated in each hole. Break off excess plastic.

Install 1/4-20 threaded end of conversion screws into drywall toggles until 5/16-18 threaded end seats flush to wall (note: results in 1/4" of thread exposed). Install standoffs to exposed threaded end of conversion screws and seat flush to wall. Proceed to Step 4.



**Step 4:**

Carefully position sign flush against standoffs, aligned with holes. Install set screw and cap to sign and standoffs. Hand tighten caps flush against sign to secure sign flush against standoffs.

**Step 5:**

Remove finger prints from sign face and edges using recommended cleaning materials. DO NOT scrub when cleaning sign. DO NOT use ammonia or abrasive materials.

