



K27 Hardware Kit Includes:

- #10 Wall Anchor (2) 900-01028
- #10x1.5" Sheet Metal Screw (2) 900-01029
- Cleat Puck (2) 900-01085
- Mounting Template

Note: Multiple K27 kits are supplied to match the cleats count per sign.

Materials/Tools Required:

Tape / Level / Pencil / Tape Measure / Hammer
 Drill with 7/32" drill bit and Phillips Head bit

Recommended Cleaning Materials:

Lint Free Non-abrasive Cloth or Wipes
 Fantastik® All-Purpose Heavy Duty Cleaner

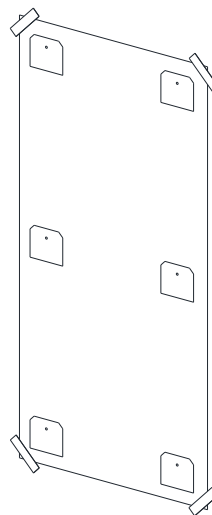
Important Installation Guidelines:

1. A clearance of 3" from ceiling to top of sign (in final position on wall) is required for installation.
2. A minimum of 1/4" spacing between each sign is required when mounting adjacent to each other.

K27 - MOXIE—Cleat Mount Installation

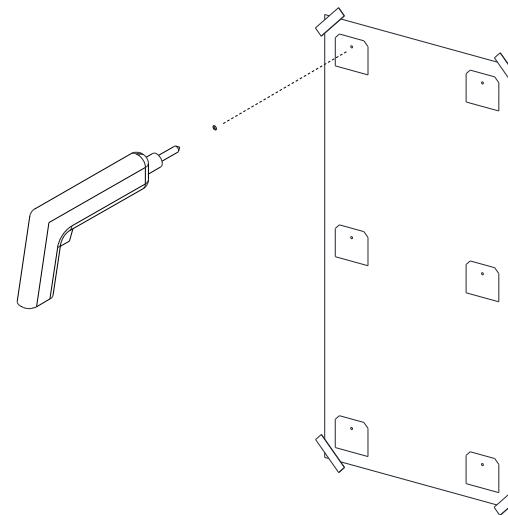
Step 1:

Tape template on wall at desired location, using a level to ensure bottom of template is level/plumb.



Step 2:

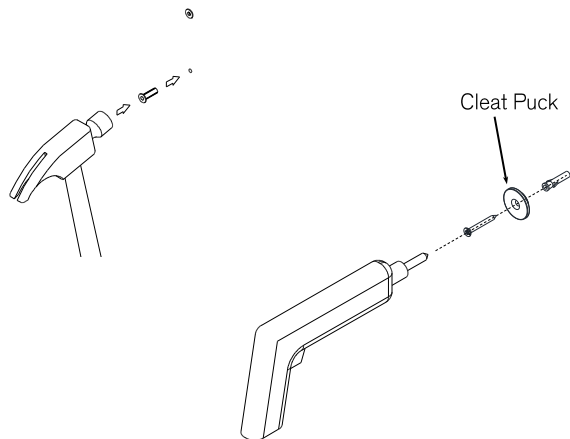
At center of hole marks on template drill 7/32" diameter holes into concrete, masonry or drywall.



Step 3:

Using hammer, drive anchors into wall and seat flush.

Using drill with phillips head bit, screw #10 sheet metal screws through countersunk holes of cleat pucks and into wall anchors. Ensure that cleat pucks are seated flush to wall with countersunk side facing out away from wall.



Step 4:

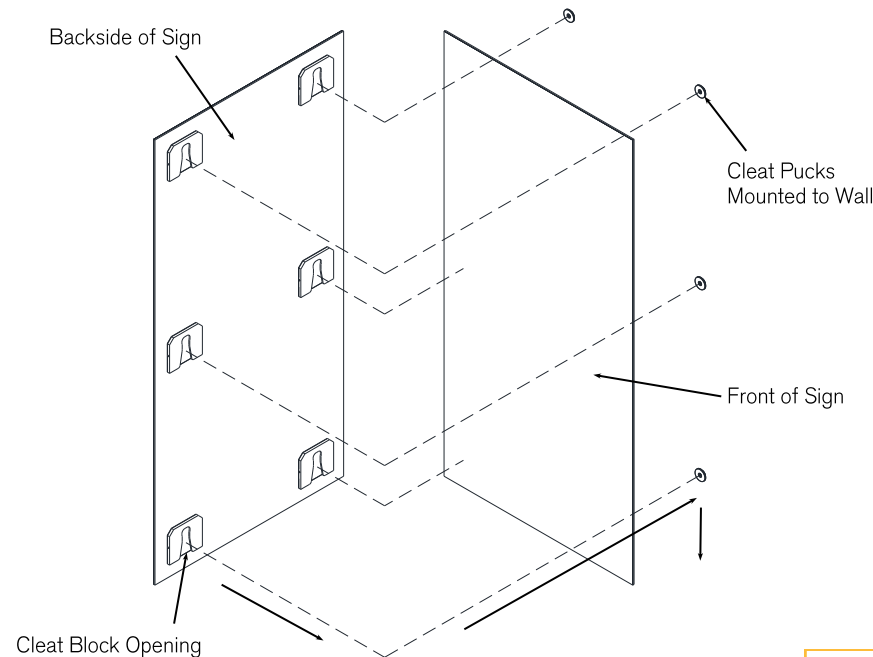
Verify if locking option is included on backside of sign by referring to Locking Option Instructions on back page of this document. If no locking option exists, proceed to Step 5.

Step 5:

Carefully position sign flush against wall with cleat block openings on backside of sign aligned over cleat pucks. Slide sign down into position to engage contact with all cleat pucks, securing sign against wall.

Step 6:

Remove finger prints from sign face and edges using recommended cleaning materials. DO NOT scrub when cleaning sign. DO NOT use ammonia or abrasive materials.





11601 Maple Ridge Rd, Medina, NY, 14103
P 800.528.1398 F 585.798.8889
www.takeform.net

K27 Hardware Kit Includes:

- #10 Wall Anchor (2) 900-01028
- #10x1.5" Sheet Metal Screw (2) 900-01029
- Cleat Puck (2) 900-01085
- Mounting Template

Note: Multiple K27 kits are supplied to match the cleats count per sign.

Materials/Tools Required:

Tape / Level / Pencil / Tape Measure / Hammer
Drill with 7/32" drill bit and Phillips Head bit

Recommended Cleaning Materials:

Lint Free Non-abrasive Cloth or Wipes
Fantastik® All-Purpose Heavy Duty Cleaner

Important Installation Guidelines:

1. A clearance of 3" from ceiling to top of sign (in final position on wall) is required for installation.
2. A minimum of 1/4" spacing between each sign is required when mounting adjacent to each other.

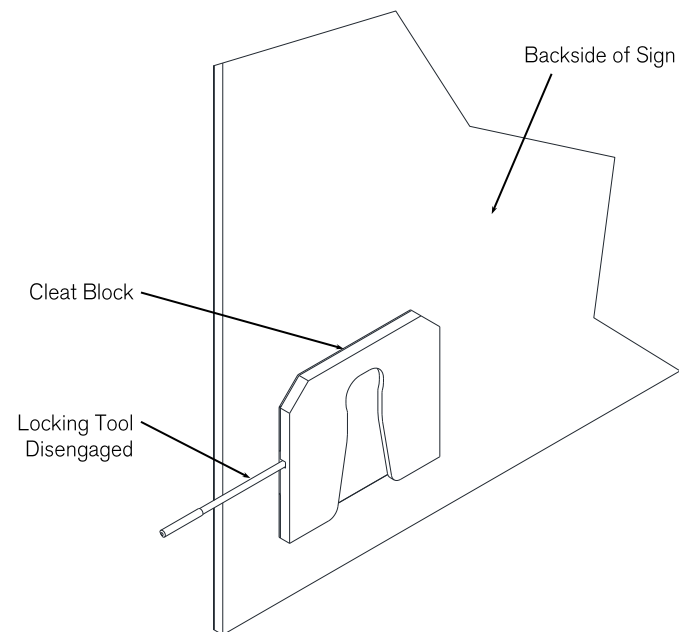
K27 - MOXIE—Cleat Mount Installation

Locking Option Instructions

Part A: Disengaging Lock

If locking tool is included in cleat block on backside of sign (look for 1/8" metal rod with yellow coated end protruding from cleat block), carefully remove tape holding tool in place for shipping.

Pull locking tool out, away from cleat block, until it stops. This disengages the locking feature, allowing the sign to be installed. Proceed with Step 5 on front page of this document to install sign to wall. Make sure to re-engage locking feature, per Part B below, once installation to wall is complete.



Part B: Engaging Lock

Push locking tool inward, towards cleat block, until it stops. This engages the locking feature, preventing the sign from being removed from the wall.

Note: In the engaged position the yellow coated end of the tool should be hidden just inside and behind sign when viewing sign from front view.

