

K67 - Portable Post and Panel Installation

K67 Hardware Kit Includes:

- | | | |
|----------------------------|-----|---------------|
| Rubber Sign Base | (1) | 900-RF-SBSQ |
| Perforated Steel Sign Post | (1) | 900-RF-MPSQ# |
| 1/4-20x2.5" Machine Screw | (2) | 900-90279A552 |
| 1/4" Flat Washer | (4) | 900-98023A029 |
| 1/4" Lock Washer | (2) | 900-91104A029 |
| 1/4-20 Hex Nut | (2) | 900-94895A029 |

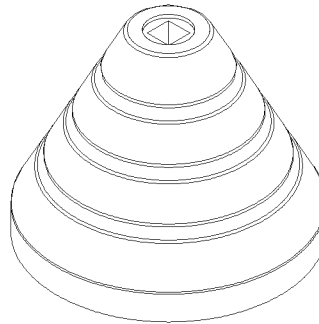
Materials/Tools Required:

- Phillips Head Screwdriver
- Adjustable Wrench

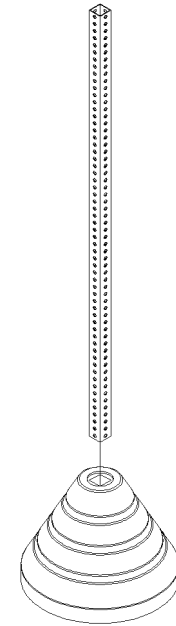
Recommended Cleaning Materials:

- Lint Free Cloth or Wipes
- Fantastik® All-Purpose Heavy Duty Cleaner

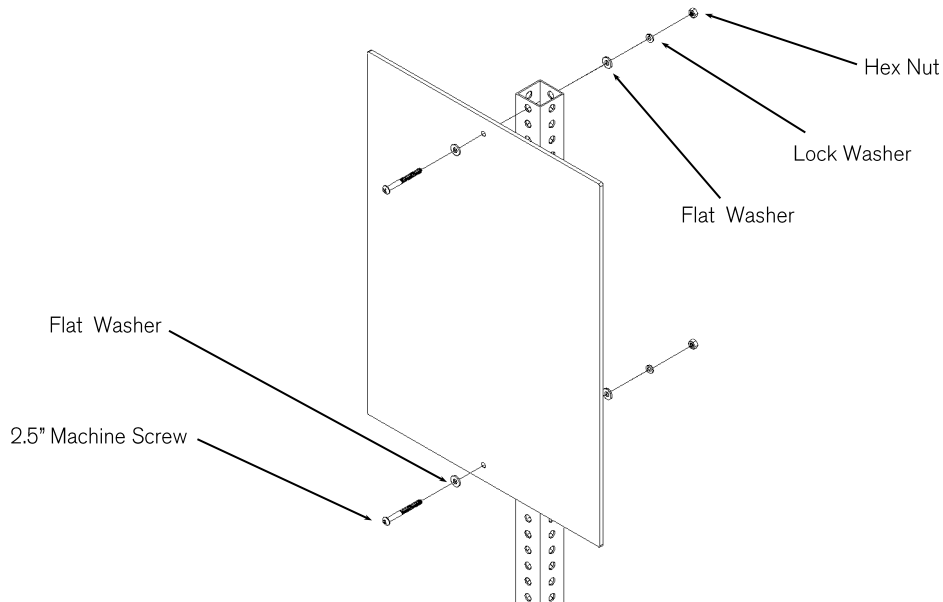
Step 1:
Place rubber base in desired location.



Step 2:
Insert post into rubber base.
Post will go all the way through rubber base.



Step 3:
Attach sign to perforated sign post as illustrated below.



Step 4:
Remove finger prints from sign faces and edges using recommended cleaners. DO NOT use Ammonia or Alcohol based cleaners.

