



K78 Hardware Kit Includes:

- T15 Hex Key (1) 900-6959A21
- #8x1/4" Long Plastite screw (12) 900-95893A321
- #8x1/2" Long Plastite screw (12) 900-95893A325
- Corner Bracket, White (12) 900-13135A59

Recommended Cleaning Materials:

- Lint Free Cloth or Wipes
- Fantastik® All-Purpose Cleaner

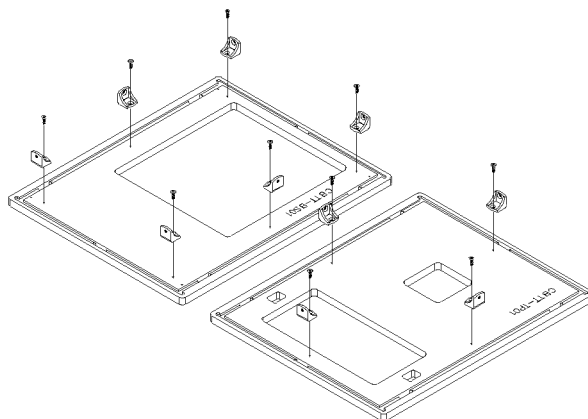
Important Installation Guidelines:

Do not overtighten screws.. Screws should be tightened until snug only.

K78 - Cleaning Station Assembly - Table Top

Step 1:

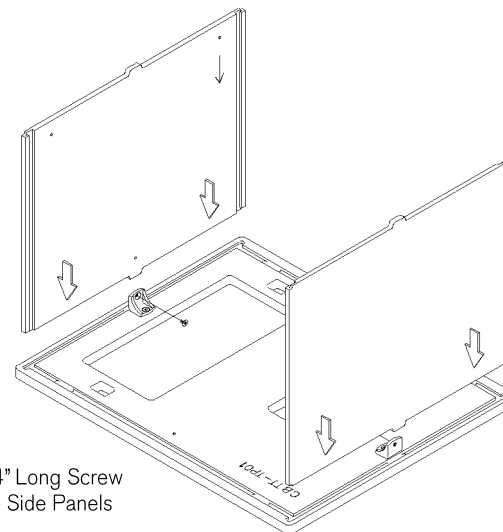
Lay out base panel and top panel, holes facing up. Using T15 hex key included or equivalent, fasten brackets to panels using 1/2" long screws. Brackets to be square with outside edges of panels as shown.



1/2" Long Screw into Top and Base Panel

Step 2:

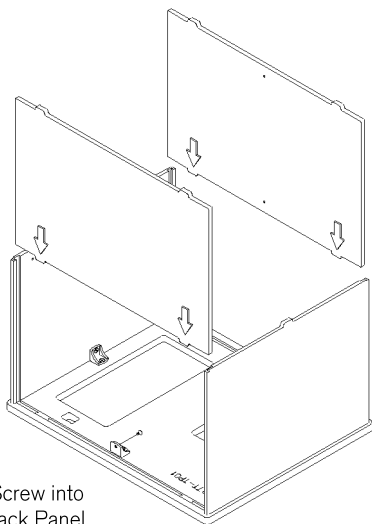
Insert side panels into top panel with holes in side panels facing in. Arrows engraved in panels note correct panel orientation. Tabs on side panels will slide into slots in top panel. Fasten side panels to brackets in top panel using 1/4" long screws.



1/4" Long Screw into Side Panels

Step 3:

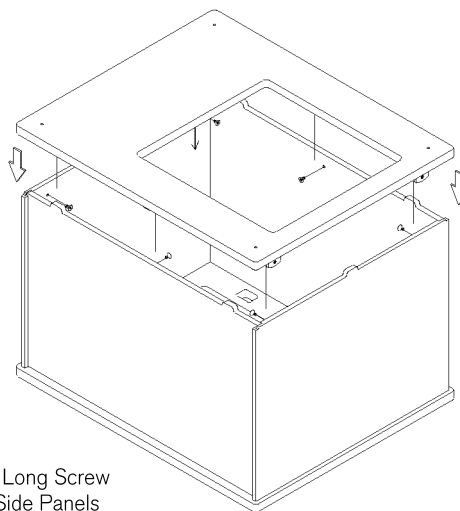
Slide front and back panel into slots milled in side panels. Tabs in front and back panels will slide into slots in top panel. Fasten front and back panels to brackets in top panel using 1/4" long screws.



1/4" Long Screw into Front and Back Panel

Step 4:

Install base panel, aligning tabs in sides panels and sliding them into slots in base panel. Fasten all four sides to brackets in base panel using 1/4" long screws, reaching brackets through large access hole in base panel.

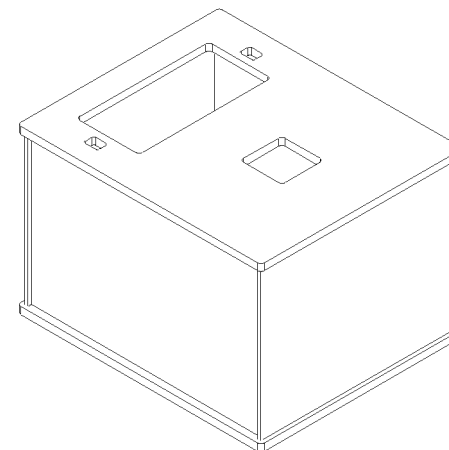


1/4" Long Screw into Side Panels

Step 5:

Place Cleaning Station in final position.

Remove finger prints using recommended cleaning materials.





K78 Hardware Kit Includes:

- T15 Hex Key (1) 900-6959A21
- #8x1/4" Long Plastite screw (12) 900-95893A321
- #8x1/2" Long Plastite screw (12) 900-95893A325
- Corner Bracket, White (12) 900-13135A59

Recommended Cleaning Materials:

- Lint Free Cloth or Wipes
- Fantastik® All-Purpose Cleaner

Important Installation Guidelines:

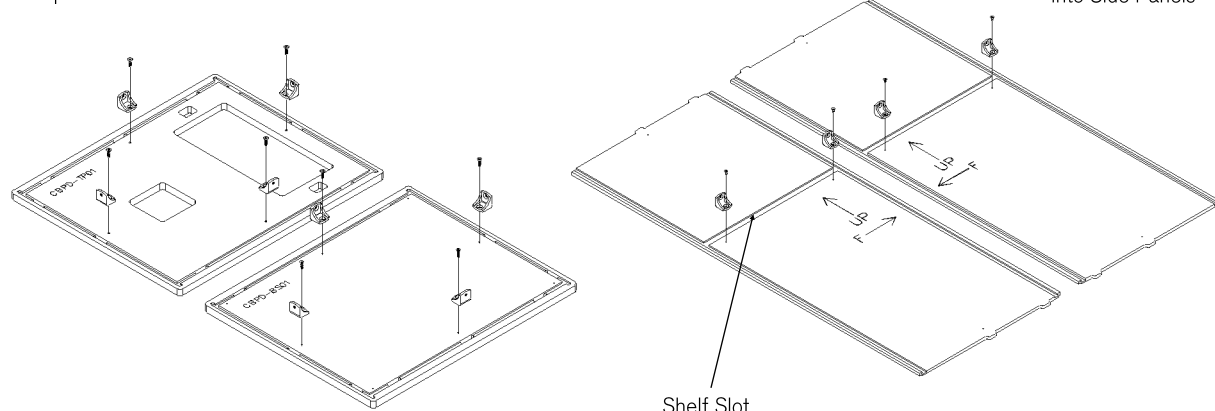
Do not overtighten screws.. Screws should be tightened until snug only.

K78 - Cleaning Station Assembly - Pedestal

Step 1:

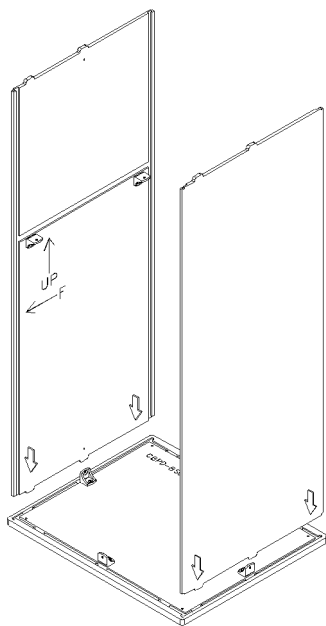
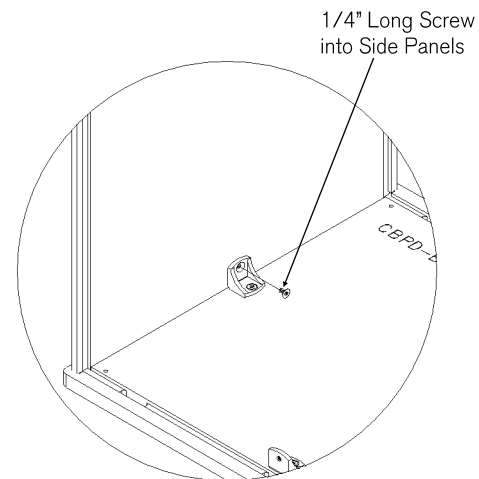
Lay out base panel, top panel, and side panels with holes facing up. Using T15 hex key included or equivalent, fasten brackets to base and top panels using 1/2" long screws. Brackets to be square with outside edges of panels as shown.

Fasten shelf mounting brackets to side panels using 1/4" long screws. Brackets to be square with shelf slot.



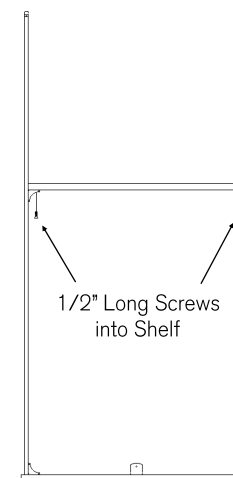
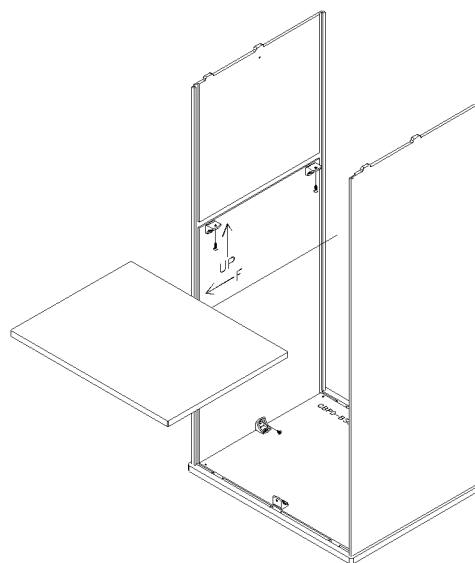
Step 2:

Insert side panels into base. Tabs on panels will slide into slots in base. Panels are engraved to show correct panel orientation. Fasten panels to brackets in base using 1/4" long screws.



Step 3:

Slide shelf into slots milled in side panels. Fasten shelf to brackets in side panels using 1/2" long screws.





11601 Maple Ridge Rd, Medina, NY, 14103
 P 800.528.1398 F 585.798.8889
 www.takeform.net

K78 Hardware Kit Includes:

- T15 Hex Key (1) 900-6959A21
- #8x1/4" Long Plastite screw (12) 900-95893A321
- #8x1/2" Long Plastite screw (12) 900-95893A325
- Corner Bracket, White (12) 900-13135A59

Recommended Cleaning Materials:

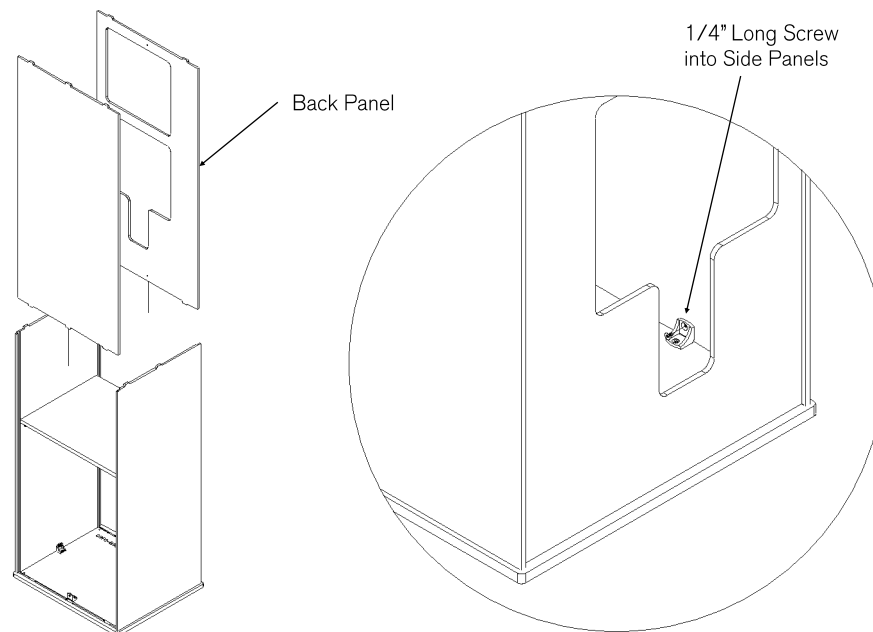
- Lint Free Cloth or Wipes
- Fantastik® All-Purpose Cleaner

Important Installation Guidelines:

Do not overtighten screws.. Screws should be tightened until snug only.

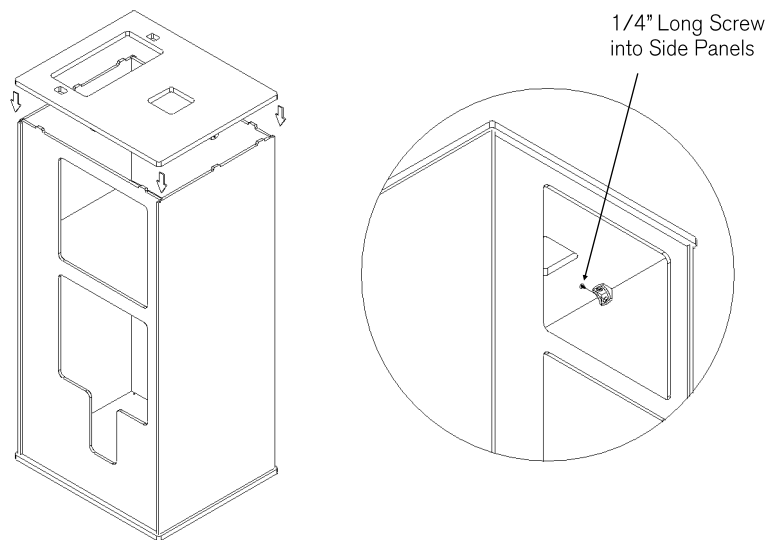
K78 - Cleaning Station Assembly - Pedestal

Step 4:
 Slide front and back panel into slots milled in side panels. Base panel has three slots on one side for front panel and two slots on opposite side for back panel. Fasten panels to brackets using 1/4" long screws.



Step 5:

Install top panel, aligning tabs in sides panels and sliding them into slots in top panel. Fasten all four sides to brackets in top panel using 1/4" long screws.



Step 6:

Place Cleaning Station in final position.

Remove finger prints using recommended cleaning materials.

