



K72 Hardware Kit Includes:

Connector (REF) RES-CONNECTOR

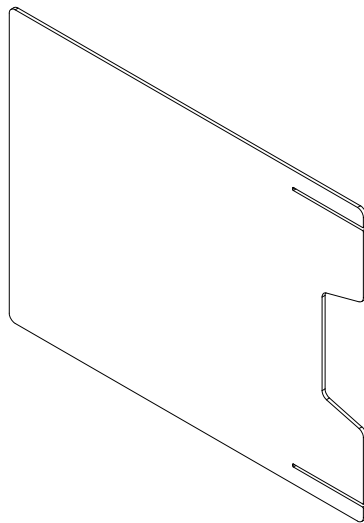
Recommended Cleaning Materials:

Lint Free Cloth or Wipes
Fantastik® All-Purpose Heavy Duty Cleaner

K72 - Assure Protective Shield Installation

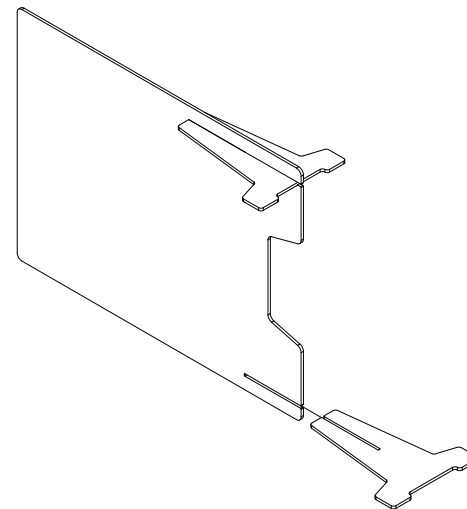
Step 1:

Lay panel on its side in preparation to assemble with legs.



Step 2:

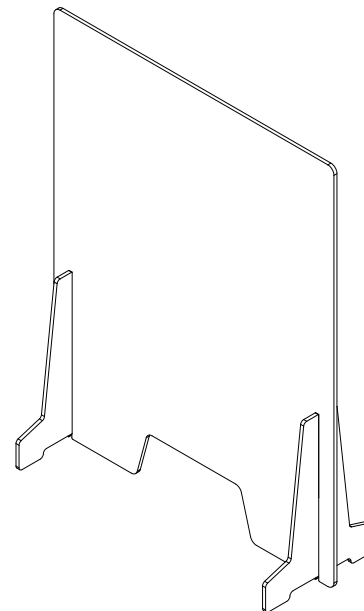
Slide legs into slots on panel until bottomed out.



Step 3:

Holding legs and shield together, lift assembly into upright position and set on surface.

Remove finger prints from shield face and edges using recommended cleaning materials.



K72 Hardware Kit Includes:

Connector (REF) RES-CONNECTOR

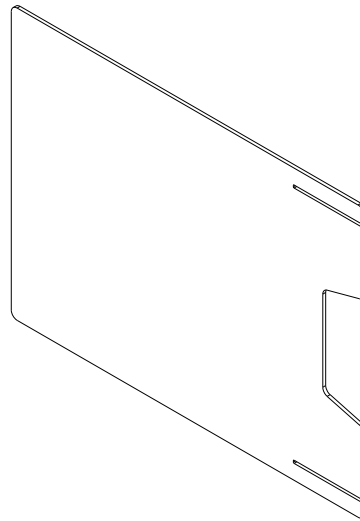
Recommended Cleaning Materials:

Lint Free Cloth or Wipes
 Fantastik® All-Purpose Heavy Duty Cleaner

K72 - Assure Protective Shield Installation

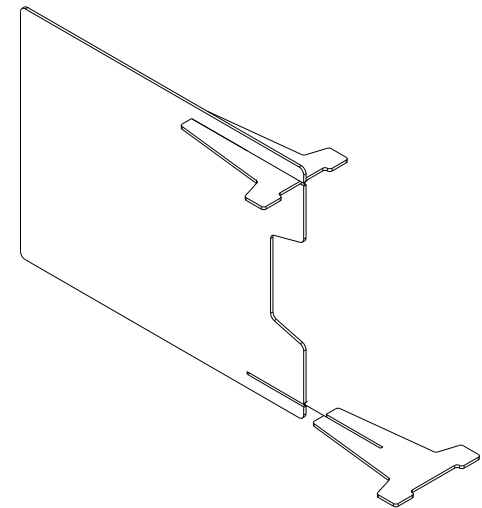
Step 1:

Lay panel on its side in preparation to assemble with legs.



Step 2:

Slide legs into slots on panel until bottomed out.

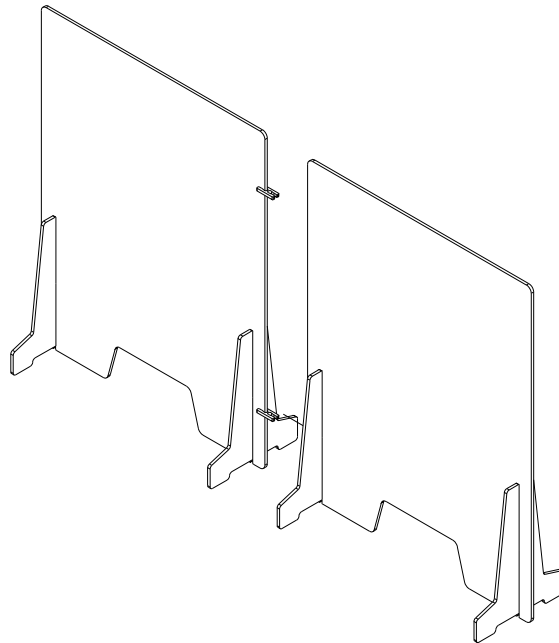


Step 3:

Holding legs and shield together, lift assembly into upright position and set on surface.

Repeat for second assembly and move assemblies to desired location.

Position shield assemblies in alignment next to each other as illustrated here. Using two connectors, attach each to one end of shield approximately 4 inches from top and bottom corners. Press the two shield assemblies together so that the connectors engage and link them together.



Step 4:

Remove finger prints from shield face and edges using recommended cleaning materials.

