



K33 Hardware Kit Includes:

Stud, Aluminum, #10-24 x 1" (2) 900-93225A771
 GE RTV6708 Silicone Adhesive (1) A0150
 (10oz cartridge)
 Mounting Template (when studs required per Step 1)

Materials/Tools Required:

Tape / Level / Tape Measure
 Utility Knife
 Caulking Gun
 Drill with 1/4" drill bit

Recommended Cleaning Materials:

Lint Free Cloth or Wipes
 Fantastik® All-Purpose Heavy Duty Cleaner

Important Wall Preparation Guidelines:

1. Interior wall surface must be clean and dry prior to installation.
2. Allow freshly painted walls to dry at least 72 hours.
3. Allow 24 hours for adhesive to cure.

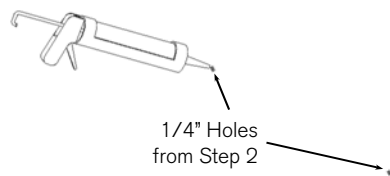
Caution:

Number of studs may not match number of stud holes on back of sign.

Step 3:

Finger tighten studs into holes in back of sign. **ONLY USE TWO STUD HOLES LOCATED IN UPPER LEFT AND RIGHT CORNERS OF SIGN**, unless otherwise specified on template.

Fill 1/4" holes in wall with silicone adhesive, using caulking gun to dispense adhesive from cartridge.



Step 4:

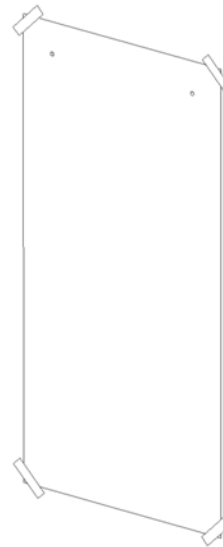
Remove liner from tape on back of sign. Apply approximately 1/4" diameter by 3" circle beads of silicone adhesive to back of sign, spaced in center area between each set of 4 tape grids. Do not apply adhesive near edges of sign as this may cause adhesive to squeeze out and be visible when sign is pressed against wall.

**K33 - MOXIE—Tape Mount w/Silicone Installation
 (For Drywall or Glass Surface Applications)**

Step 1:
 If mounting surface is glass, proceed immediately to Step 4.

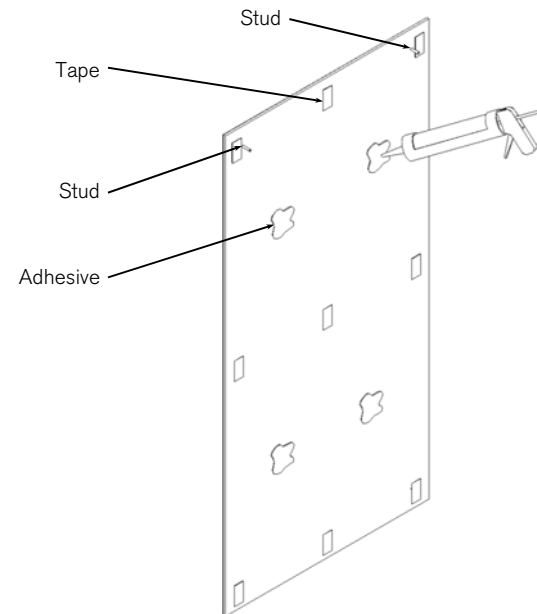
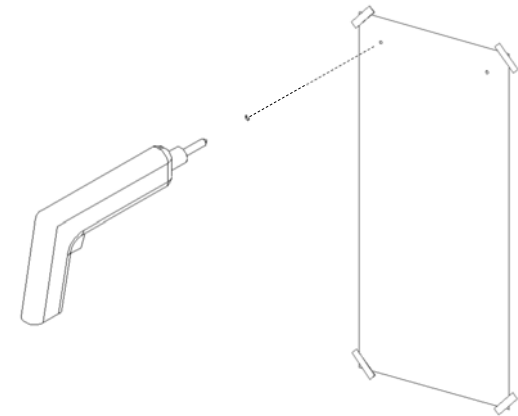
If template is provided and sign has holes located near each corner on backside of sign, tape template on wall at desired location, using a level to ensure template is level/plumb.

Otherwise, proceed to Step 4, as studs are not required for installation.



Step 2:

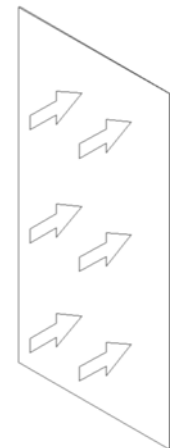
At center of hole marks in template, typically located in the upper left and right corners, drill 1/4" diameter holes by 1" deep into wall. Remove template from wall and deburr holes.



Step 5:

Place sign on wall, aligning studs in back of sign with holes in wall. Check that sign is level. Press sign firmly and evenly to wall with 15 PSI of pressure so that tape activates against wall.

The adhesive is the primary bonding agent. The tape and studs provide temporary hold until adhesive cures.



Step 6:

Remove finger prints from sign face and edges using recommended cleaning materials. **DO NOT** scrub when cleaning sign. **DO NOT** use ammonia or abrasive materials.