



K53 - APPLAUD—Z-Clip Mount Installation

K53 Hardware Kit Includes:

- #10-24 Drywall Toggle (2) 900-01024
- #10-24x2.5" Machine Screw (2) 900-110170359
- #10 Wall Anchor (2) 900-01028
- #10x1.5" Sheet Metal Screw (2) 900-1172936
- Z-Clip Continuous (cut to size) (AR) 900-MF-375-144
- Mounting Template

Note: Multiple K53 kits are supplied to match the Z-Clip count per sign.

Materials/Tools Required:

Tape / Level / Pencil / Tape Measure / Hammer
 Drill with 7/32" and 1/2" drill bit and Phillips Head bit

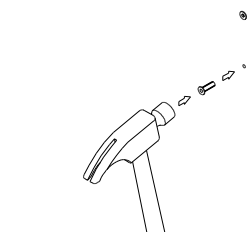
Recommended Cleaning Materials:

Lint Free Non-abrasive Cloth or Wipes
 Fantastik® All-Purpose Heavy Duty Cleaner

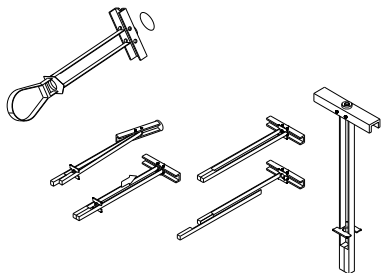
Important Installation Guidelines:

1. A minimum clearance of 1/2" from ceiling to top of sign (in final position on wall) is required for installation.
2. When mounting button or magnetic system backers adjacent to each other, they must be spaced 1/4" apart if mounting plaques between backers is required. When mounting rod system backers adjacent to each other, they must be spaced 3-1/4" apart if mounting plaques between backers is required.

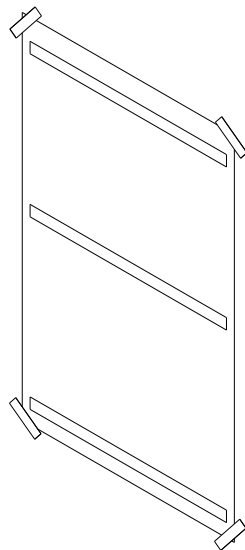
Step 3a:
 Using hammer, drive anchors into wall and seat flush.



Step 3b:
 Insert toggles into 1/2" holes in drywall. Cinch retaining ring until tight against wall and seated in each hole. Break off excess plastic. Proceed to Step 4.

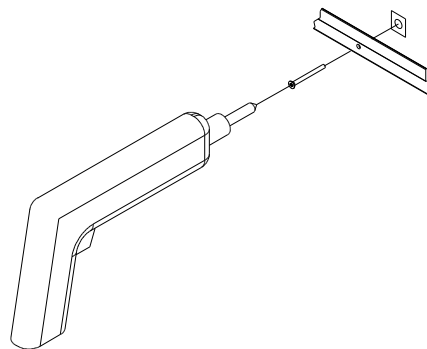


Step 1:
 Tape template on wall at desired location, using a level to ensure bottom of template is level/plumb.



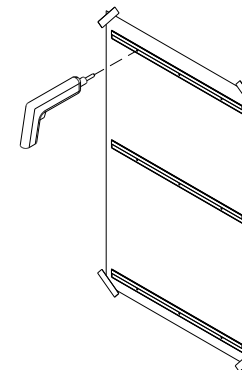
Step 4:
 If going into anchors, use drill with phillips head bit to install #10 sheet metal screws through clearance holes of continuous z-clips and into wall anchors. Ensure that continuous z-clips are seated flush to wall.

If going into drywall toggles, use drill with phillips head bit to install #10 machine screws through clearance holes of continuous z-clips and into dry wall toggles. Ensure that continuous z-clips are seated flush to wall.



Step 2:
 Place continuous Z-Clip on template in outlined areas and use it to mark the hole centers. Drill holes on marks using method A or B, depending on wall conditions as noted below:

- A. For concrete/masonry installation, the recommended mounting hardware is a wall anchor. Drill 7/32" diameter holes. Install anchors per Step 3a.
- B. For drywall installation, the recommended mounting hardware is a drywall toggle. Drill 1/2" diameter holes and deburr them. Insert toggles per Step 3b.



Step 5:
 Carefully position sign flush against wall with z-clips on backside of sign aligned over z-clips on wall. Slide sign down into position to engage contact with all z-clips, securing sign against wall.

Step 6:
 Remove finger prints from sign face and edges using recommended cleaning materials. DO NOT scrub when cleaning sign. DO NOT use ammonia or abrasive materials.

