



11601 Maple Ridge Rd, Medina, NY, 14103  
 P 800.528.1398 F 585.798.8889  
 www.takeform.net

K60 - Lucid Tape Mount Installation

**K60 Hardware Kit Includes:**

White Cotton Gloves (Ref) 900-S7892M  
 Template (if included per Step 3)

**Materials/Tools Required:**

Level / Pencil / Tape Measure / Sign Setter\*

**Recommended Cleaning Materials:**

Lint Free Cloth or Wipes  
 Fantastik® All-Purpose Heavy Duty Cleaner

**Important Installation Guidelines:**

- Wall surface must be clean and dry prior to adhering signs. Allow paint to dry for 72 hours minimum.
- White cotton gloves to be worn at all times when touching face of sign components. Installer supplied clean, powder free, nitrile gloves also acceptable.

**Location Requirements:**

See ADA mounting height requirements page.

For more information visit:

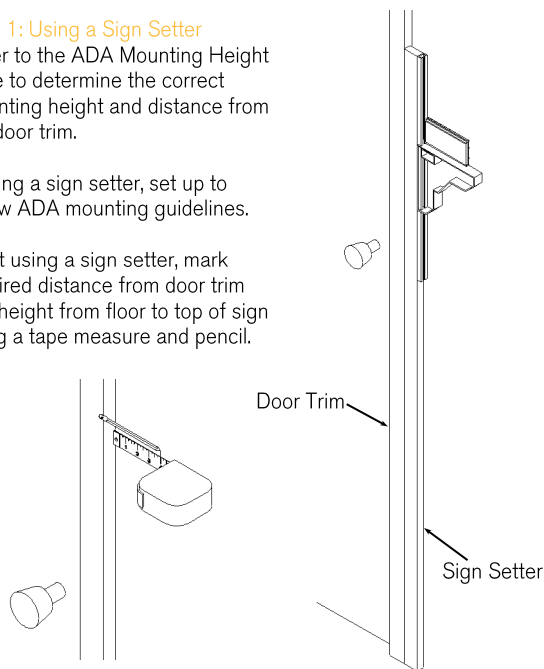
[https://www.ada.gov/2010ADASTandards\\_index.htm](https://www.ada.gov/2010ADASTandards_index.htm)

**Step 1: Using a Sign Setter**

Refer to the ADA Mounting Height page to determine the correct mounting height and distance from the door trim.

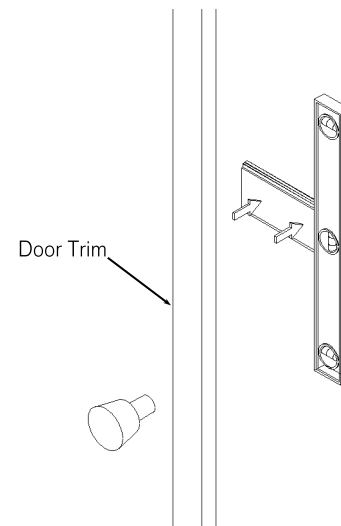
If using a sign setter, set up to follow ADA mounting guidelines.

If not using a sign setter, mark required distance from door trim and height from floor to top of sign using a tape measure and pencil.



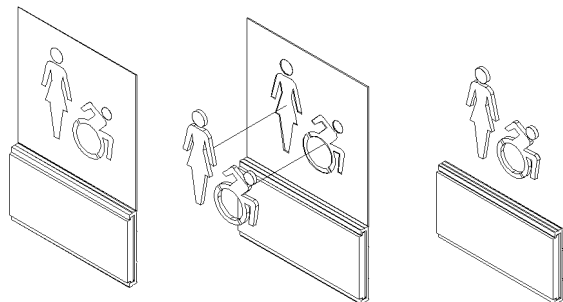
**Step 2:**

Place sign on wall using sign setter or align with measurement marks. Check that sign is level before applying pressure with either method. Once sign is level press sign firmly and evenly to wall so that tape squares receive 15 PSI of pressure.



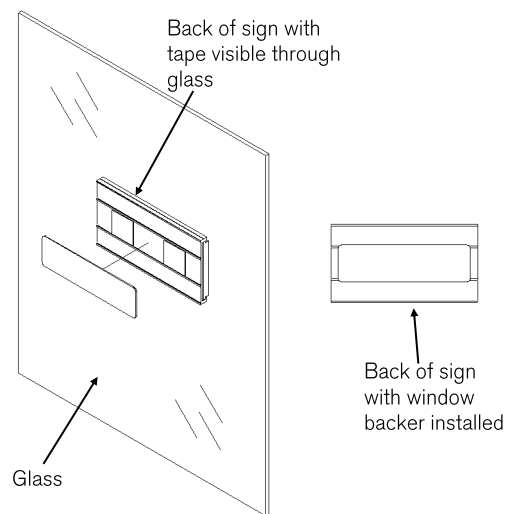
**Step 3:**

If pictogram not included proceed to step 4. To apply pictogram, align pictogram template with edges of extrusion on wall and position so that template rests on top of sign. Remove adhesive liner from back of pictograms and apply them to wall, using inside template cutout as a locating guide, with 15 PSI of pressure.



**Step 4:**

If window backer not included proceed to step 5. Locate window backer on center and .25" inset from both edges of extrusion. Press backer to window visually aligning so that no tape is visible and backer is square with sign.



**Step 5:**

Remove finger prints from sign face and edges using recommended cleaning materials. DO NOT use ammonia or alcohol based cleaners.

