



K50 - TRANSIT—Screw Mount Installation

K50 Hardware Kit Includes:

- #14x1-9/16" Wall Anchor (2) 900-331617
- Rubber Washer, .69 ODx.29 ID (2) 900-90130A040
- #14x1.5" SS Sht. Metal Screw (2) 900-93406A318
- Mounting Template

Note: Multiple K50 kits are supplied to match the holes count per sign.

Materials/Tools Required:

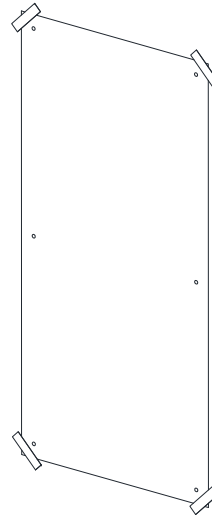
- Tape
- Level
- Pencil
- Tape Measure
- Hammer
- Drill with 5/16" drill bit
- #3 Phillips Bit

Recommended Cleaning Materials:

- Lint Free Cloth or Wipes
- Fantastik® All-Purpose Heavy Duty Cleaner

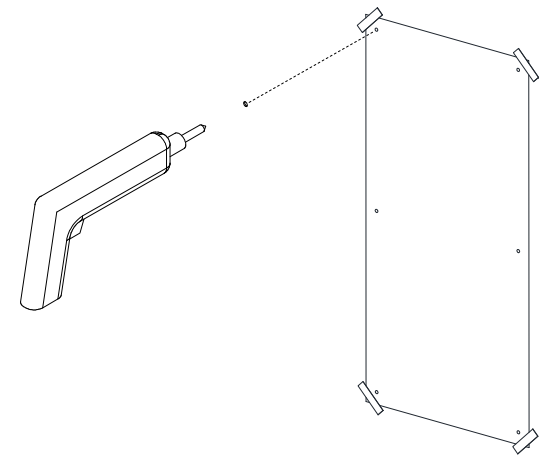
Step 1:

Tape template on wall at desired location, using a level to ensure template is level/plumb.



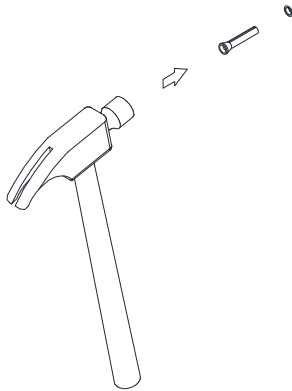
Step 2:

At center of hole marks in template drill 5/16" diameter holes by 1-5/8" deep into wall.



Step 3:

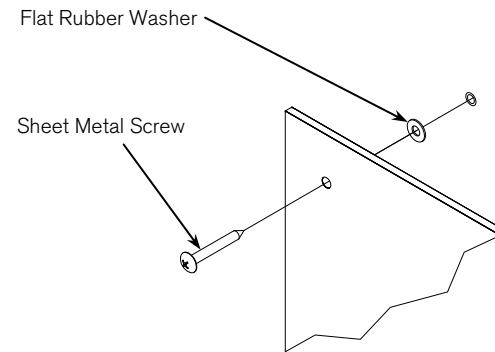
Remove template from wall, deburr holes, and install #14 anchors into wall, using hammer to drive anchors into holes and seat flush to wall.



Step 4:

Carefully position sign to wall, aligning holes in sign with anchors in wall. Using drill with #3 Phillips bit, install sign to wall using sheet metal screws from front and flat rubber washers from back of sign to secure sign to wall.

Note: washers positioned behind sign, providing slight shim from wall, are necessary for weathering purposes.



Step 5:

Remove finger prints from sign face and edges using recommended cleaning materials. DO NOT scrub when cleaning sign. DO NOT use ammonia or abrasive materials.

