



**K57 Hardware Kit Includes:**

- #10-24 Drywall Toggle (6) 900-01024
- #10-24x2.5" Machine Screw (6) 900-01023
- #10 Wall Anchor (6) 900-01028
- #10x1.5" Sheet Metal Screw (6) 900-01029
- # 8-32x.25" Set Screw (10) 900-94355A190
- 5/64" Hex Key (1) 900-01030
- White Cotton Gloves (Ref) 900-S7892M
- Mounting Template

**Materials/Tools Required:**

- Level / Pencil / Hammer
- Masking Tape
- Tape Measure
- Drill with 7/32" bit or 1/2" bit (see Step 2)
- Phillips Head bit

**Recommended Cleaning Materials:**

- Lint Free Cloth or Wipes
- Fantastik® All-Purpose Heavy Duty Cleaner

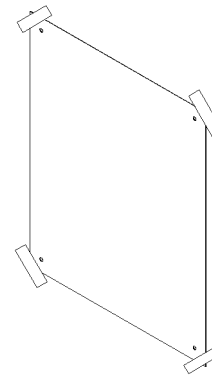
**K57 - Lucid Rails Installation**

**Important Installation Guideline:**

White cotton gloves to be worn at all times when touching sign components. Installer supplied clean, powder free, nitrile gloves also acceptable.

**Step 1:**

Tape template on wall at desired location, using a level to ensure template is level/plumb.



**Step 2:**

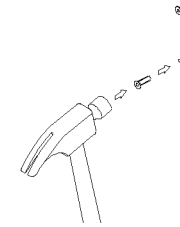
At hole center marks in template, drill holes using method A or B, depending on wall conditions as noted below:

- A. For concrete/masonry installation, the recommended mounting hardware is a wall anchor. Drill 7/32" diameter holes. Install anchors per Step 3a.
- B. For drywall installation, the recommended mounting hardware is a drywall toggle. Drill 1/2" diameter holes and deburr them. Insert toggles per Step 3b.



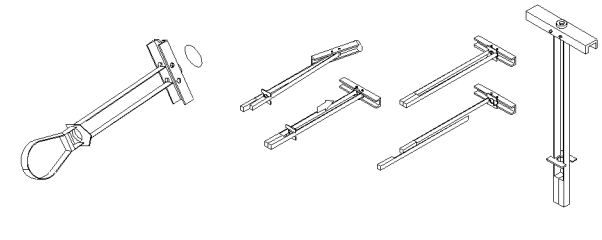
**Step 3a: Wall Anchors**

Drive anchors into masonry wall and seat flush. Proceed to Step 4.



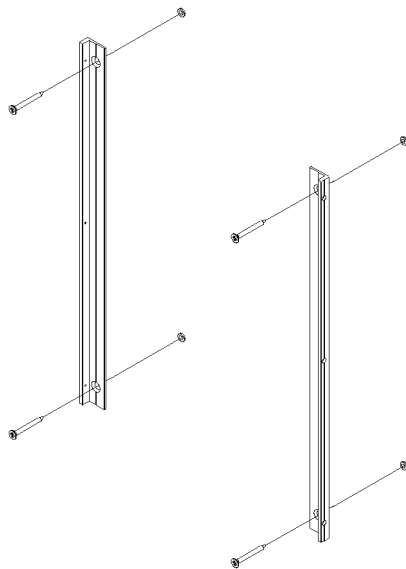
**Step 3b: Drywall Toggles**

Insert toggles into holes. Cinch retaining ring until tight against wall and seated in each hole. Break off excess plastic. Proceed to Step 4.



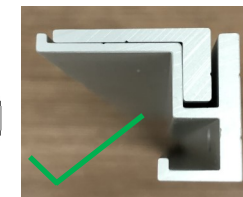
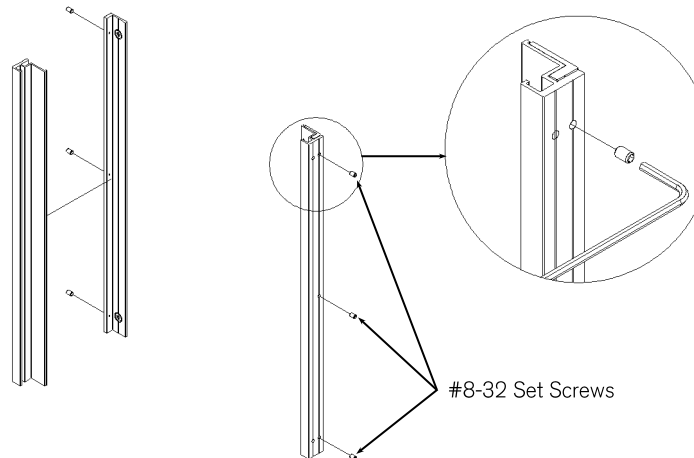
**Step 4:**

Attach L-shaped inner rails to wall using #10 flat head screws as shown below (machine screws if using drywall toggles, sheet metal screws if using wall anchors).



**Step 5:**

Fit outer rails over top of L-shaped inner rails and align ends flush. Inner positioned tapped holes in outer rails will line up with holes in inner rails. Install set screws into threaded hole locations as shown, using hex key to fasten rails together. Make sure set screws are tightened only until the screws are just snug for inner and outer rail engagement. Overtightening of these set screws can cause the outer rails to twist inward and inhibit further assembly of the sign system. If screws are overtightened causing rail twisting, simply back out set screws until rails return to straight and the set screws are still snug and holding rails firmly together. Note: number of set screws shown below may not match quantity for product being installed.



Correct: Rails are secured together without overtightening of the set screws.



Incorrect: Set screws are overtightened causing the outer rail to twist inward.



11601 Maple Ridge Rd, Medina, NY, 14103  
 P 800.528.1398 F 585.798.8889  
 www.takeform.net

**K57 Hardware Kit Includes:**

- #10-24 Drywall Toggle (6) 900-01024
- #10-24x2.5" Machine Screw (6) 900-01023
- #10 Wall Anchor (6) 900-01028
- #10x1.5" Sheet Metal Screw (6) 900-01029
- # 8-32x.25" Set Screw (10) 900-94355A190
- 5/64" Hex Key (1) 900-01030
- White Cotton Gloves (Ref) 900-S7892M
- Mounting Template

**Materials/Tools Required:**

- Level / Pencil / Hammer
- Masking Tape
- Tape Measure
- Drill with 7/32" bit or 1/2" bit (see Step 2)
- Phillips Head bit

**Recommended Cleaning Materials:**

- Lint Free Cloth or Wipes
- Fantastik® All-Purpose Heavy Duty Cleaner

**K57 - Lucid Rails Installation**

**Step 6:**  
 Slide first tile into rails, working from bottom up if rails mounted vertically, left to right or right to left if rails mounted horizontally. Hold tile flush to end of rails and thread set screws into outer tapped hole in outer rail using hex key provided. End of set screw should be positioned flush with outside face of outer rail such that tile moves loosely in rail but is locked from being able to be removed.

Slide remaining tiles into rails.

Once all tiles have been placed in rails, thread set screws flush into tapped holes in rails on opposite end from which the first tile was placed.

**Warning:** Failure to follow these instructions may result in overtightened set screws, causing undue pressure on tile and not allow for expansion and contraction.

**Step 7:**  
 Remove finger prints from sign faces and edges using recommended cleaners. DO NOT use ammonia or alcohol based cleaners.

