



11601 Maple Ridge Rd, Medina, NY, 14103
 P 800.528.1398 F 585.798.8889
 www.takeform.net

K55 Hardware Kit Includes:

- #10 Wall Anchor (4) 900-01028
- #10 x 1-1/4 Tamper Screw (4) 900-tamperscrew
- T25 Tamper Torx Bit (AR) 900-tamperbit
- Mounting Template

Materials/Tools Required:

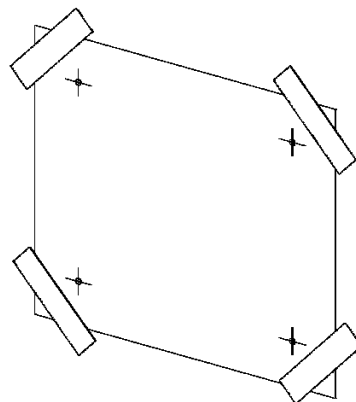
- Tape
- Level
- Pencil
- Tape Measure
- Hammer
- Drill with 7/32" drill bit

Recommended Cleaning Materials:

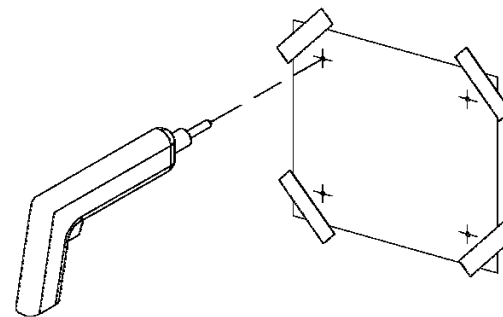
- Lint Free Cloth or Wipes
- Fantastik® All-Purpose Heavy Duty Cleaner

K55 - Tamper Screw Mount Installation

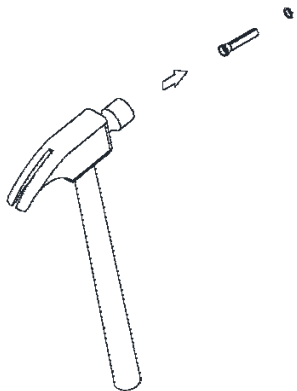
Step 1:
 Tape template on wall at desired location, using a level to ensure template is level/plumb.



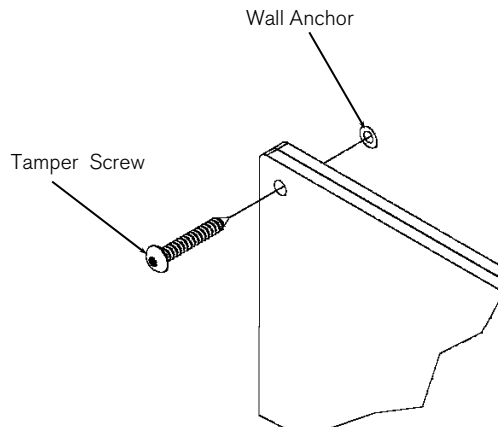
Step 2:
 At center of hole marks in template drill 7/32" diameter holes



Step 3:
 Remove template from wall, deburr holes, and install #10 anchors into wall, using hammer to drive anchors into holes and seat flush to wall.



Step 4:
 Carefully position sign to wall, aligning holes in sign with anchors in wall. Using drill with Tamper Torx Bit, install sign to wall using sheet metal screws from front to secure sign to wall.



Step 5:
 Remove finger prints from sign face and edges using recommended cleaning materials. DO NOT scrub when cleaning sign. DO NOT use ammonia or abrasive materials.

