



K17 Hardware Kit Includes:

- #10-24 Drywall Toggle (4) 900-01024
- #10-24x2.5" Machine Screw (4) 900-01023
- #10 Wall Anchor (4) 900-01028
- #10x1.5" Sheet Metal Screw (4) 900-01029
- #50 Hex Key (1) 900-01032
- Cap and Set Screw Assembly (AR) Packaged Separately, Shown for ref. only.
- Mounting Template

Materials/Tools Required:

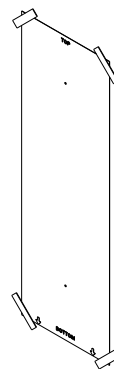
- Level / Pencil / Hammer
- Masking Tape
- Tape Measure
- Drill with 7/32" bit or 1/2" bit (see Step 2)
- Phillips Head bit

Recommended Cleaning Materials:

- Lint Free Cloth or Wipes
- Novus® 1 Plastic Cleaner and Polish

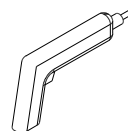
K17 - NEST — Magazine Rack

Step 1:
 Tape template on wall at desired location, using a level to ensure bottom of template (line with arrows) is level/plumb. For a single Magazine Rack (ex: AH1A01) only, place it on wall with Level at desired location and transfer mounting holes in back panel to wall with pencil.

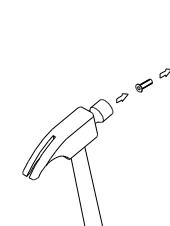


Step 2:
 At hole center marks in template, drill holes using method A or B, depending on wall conditions as noted below:

- A. For concrete/masonry installation, the recommended mounting hardware is a wall anchor. Drill 7/32" diameter holes. Install anchors per Step 3a.
- B. For drywall installation, the recommended mounting hardware is a drywall toggle. Drill 1/2" diameter holes and deburr them. Insert toggles per Step 3b.

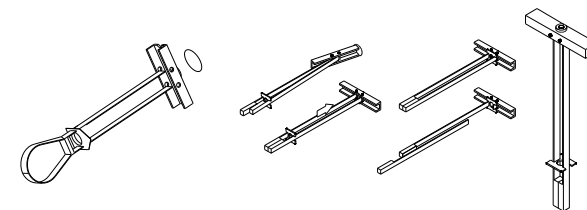


Step 3a: Wall Anchors
 Drive anchors into masonry wall and seat flush. Proceed to Step 4.

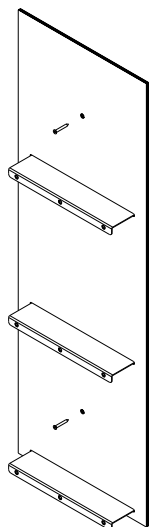


Step 3b: Drywall Toggles

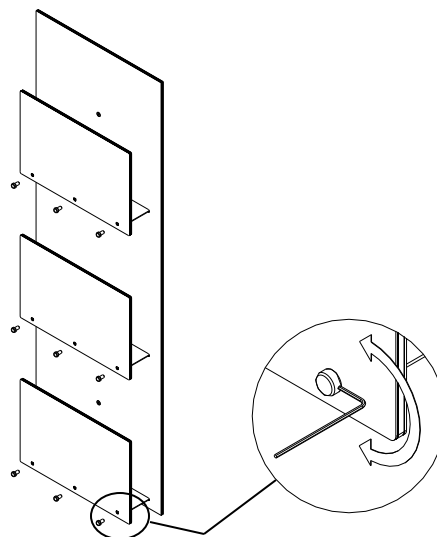
Insert toggles into holes. Cinch retaining ring until tight against wall and seated in each hole. Break off excess plastic. Proceed to Step 4.



Step 4:
 Attach Magazine Rack to wall using #10 flat head screws (machine screws if using drywall toggles, sheet metal screws if using wall anchors).



Step 5:
 Attach each Magazine Rack front to bracket at (3) hole locations using cap and set screw assemblies. Use #50 hex key to tighten cap and set screw assembly snug against front panel.



Step 6:
 Remove finger prints from sign faces and edges using recommended cleaners. DO NOT use ammonia or alcohol based cleaners.

