



11601 Maple Ridge Rd, Medina, NY, 14103  
 P 800.528.1398 F 585.798.8889  
 www.takeform.net

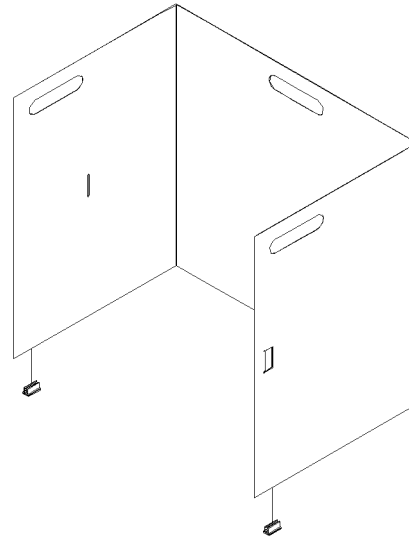
**K77 Hardware Kit Includes:**  
 Self-adhesive Foot Pad

(2) 900-108523

**Recommended Cleaning Materials:**  
 Lint Free Cloth or Wipes  
 Fantastik® All-Purpose Cleaner

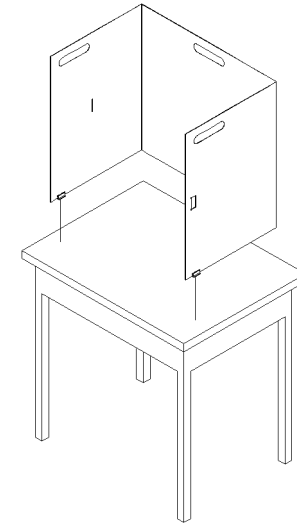
**K77 - FunView Folding Shield Installation**

**Step 1:**  
 Attach foot pads to bottom corners of shield approximately 1 inch inset from edges.

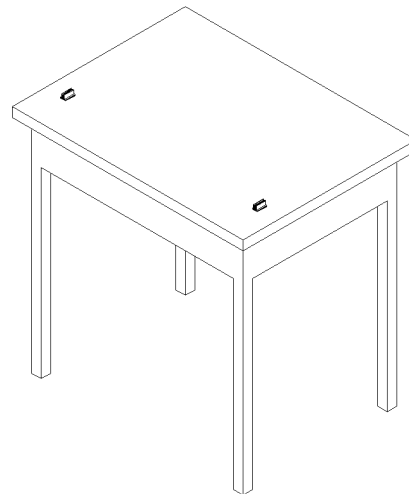


**Step 1B:**  
 Desk should be clean and dry prior to adhering foot pads.

Peel liner from bottom of foot pads. Position shield at desired location and press pads firmly to desk surface to activate adhesion.



**Step 2:**  
 To remove, lift shield out of foot pads. Pads should remain in place on desk. If pads become loose, apply pressure to re-adhere to desk.



**Step 3:**  
 To transport or store shield, fold sides inward as shown. Use tab and slot to lock sides together.

