

K46

Materials/Tools Required:

- Felt Tipped Squeegee
- Lint Free Cloth
- Tape Measure
- Razor Knife
- Level
- Spray Bottle with Wetting Solution *

* For wetting solution, use a solution of mild dish soap (e.g., Dawn® or Joy®) and water. For a 32 oz. spray bottle, add 4 to 5 drops of soap.

Recommended Cleaning Materials:

Mild soap and water (see wetting solution above)

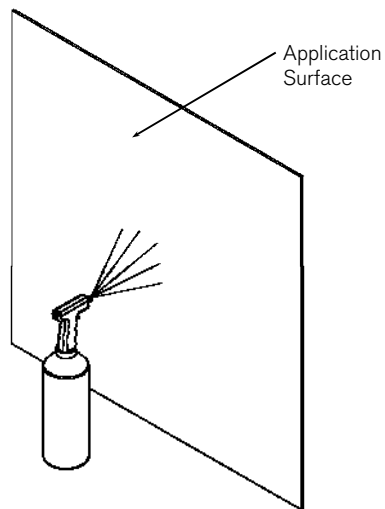
Important Installation Guidelines:

- Applicable installation surfaces are glass, acrylic, polycarbonate, metal and painted metal.
- Install temperature must be 50°F to 100°F.
- Do not use Rapid Tac or Rapid Tac II products for wetting solution as these application fluids contain chemicals that may cause damage to printed graphics.
- Surface with anti-graffiti coating is not acceptable for window films.

K46 - Amplify Window Film Decal Installation

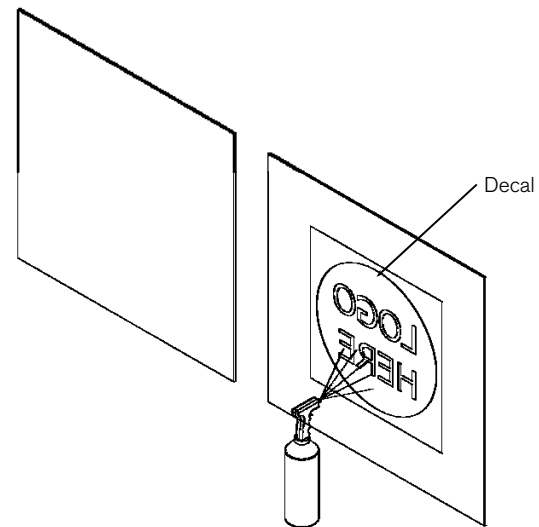
Step 1:

Spray window with solution and wipe with lint free cloth. Repeat until window is clean. It is not necessary to wipe the window dry.



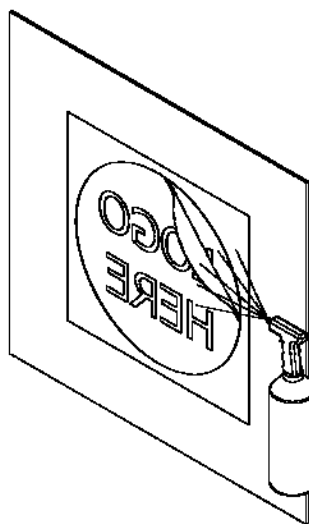
Step 2:

Spray solution onto a window or smooth surface near the application area. Then, place the decal backside (liner side up) onto this wetted area in preparation for removing liner.



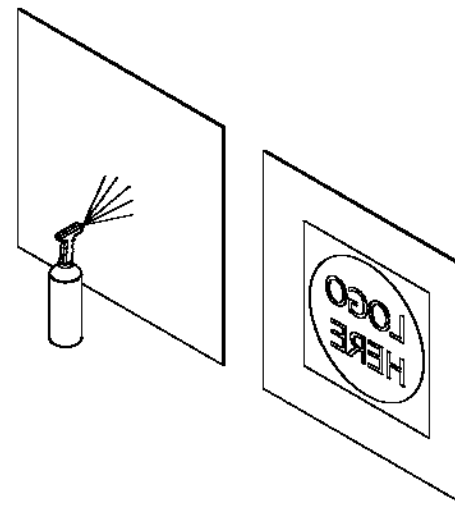
Step 3:

Carefully pull liner from backside of decal. As you peel, spray solution onto the now facing up adhesive. Continue to spray as you peel away liner, covering the entire backside or adhesive side with solution.



Step 4:

Spray solution over window area again. Pick the decal up from the area (now without a liner) and place adhesive side against the application area.



K46

Materials/Tools Required:

- Felt Tipped Squeegee
- Lint Free Cloth
- Tape Measure
- Razor Knife
- Level
- Spray Bottle with Wetting Solution *

* For wetting solution, use a solution of mild dish soap (e.g., Dawn® or Joy®) and water. For a 32 oz. spray bottle, add 4 to 5 drops of soap.

Recommended Cleaning Materials:

Mild soap and water (see wetting solution above)

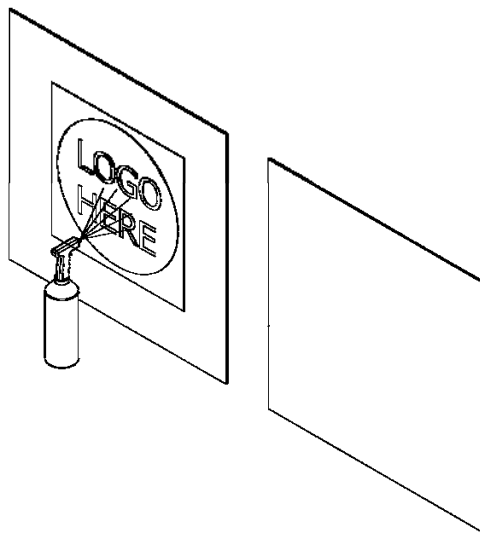
Important Installation Guidelines:

- Applicable installation surfaces are glass, acrylic, polycarbonate, metal and painted metal.
- Install temperature must be 50°F to 100°F.
- Do not use Rapid Tac or Rapid Tac II products for wetting solution as these application fluids contain chemicals that may cause damage to printed graphics.
- Surface with anti-graffiti coating is not acceptable for window films.

K46 - Amplify Window Film Decal Installation

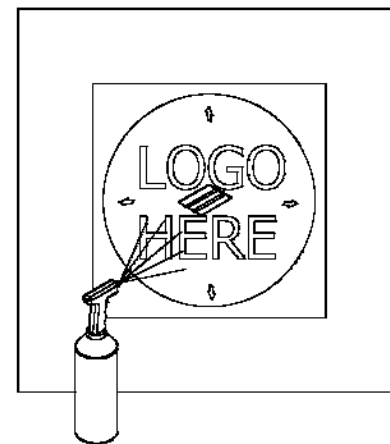
Step 5:

Using a level, align decal onto application area. Spray solution over the front of decal. This prevents scratching of the film while you squeegee.



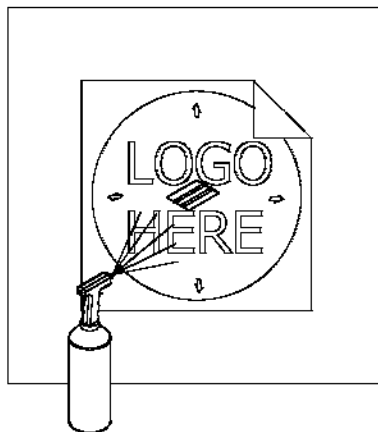
Step 6:

Using a squeegee, start from the center and work outward to squeeze water out first horizontally and then vertically. Be sure to reapply solution over area if lifting and reworking the decal.



Step 7:

After using squeegee, let decal rest on window for approximately 30 minutes (rest time may vary by climate) to allow the adhesive to adhere. Then, carefully peel off application tape from front face on a 180° angle. Do not pull the application tape straight out as this can pull up the decal. If decal starts to lift, replace application tape and squeegee again before removing.



Step 8:

Clean the decal using recommended cleaners. Wipe with a lint free cloth to remove water. Window films may take a few days to fully adhere to the glass.

