



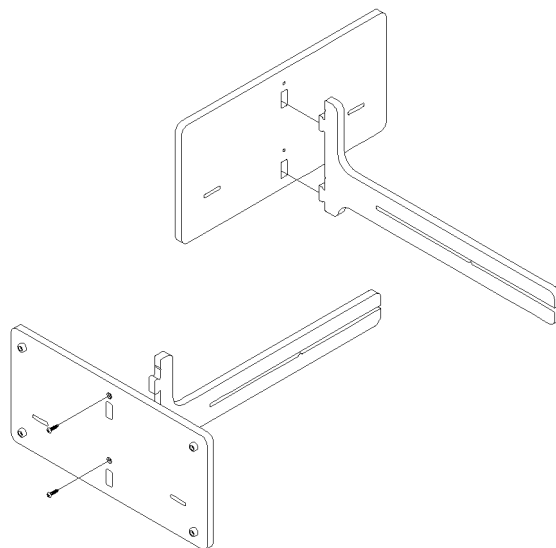
**K75 Hardware Kit Includes:**  
 #8x3/4" Sheet Metal Screw (11) 900-90356A267

**Materials/Tools Required:**  
 Phillips Head Screwdriver

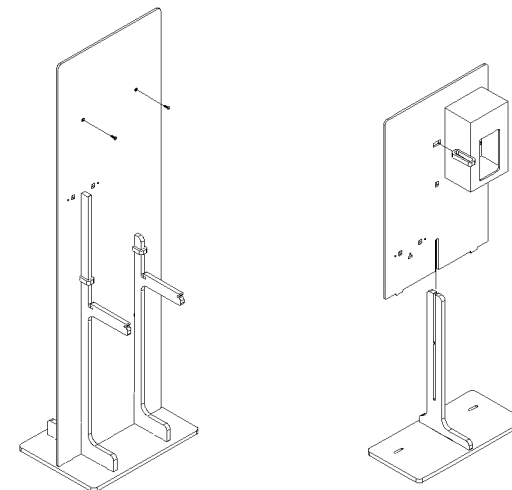
**Recommended Cleaning Materials:**  
 Lint Free Cloth or Wipes  
 Fantastik® All-Purpose Cleaner

**K75 - PPE Station Freestanding Assembly**

**Step 1:**  
 Place parts on their side as shown. Insert legs into holes in base. Attach base with screws provided.

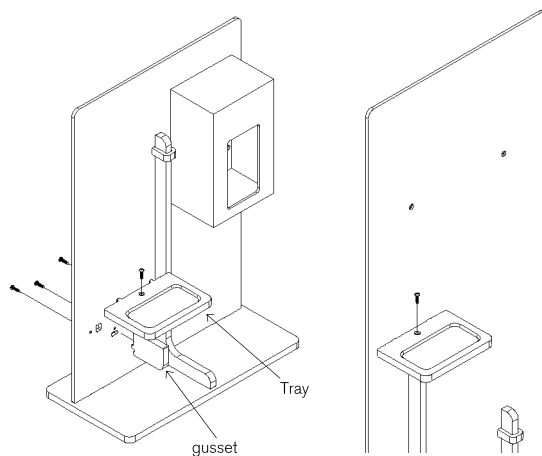


**Step 2:**  
 Slide panel into slot in legs as shown at right.  
 If PPE Station is freestanding, screw legs to panel as shown.

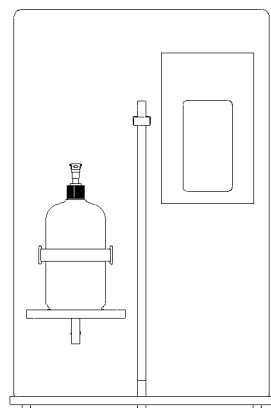


**Step 3:**  
 If counter-top version, screw tray and gusset together. Insert assembly into holes in backer panel and attach using screws provided.

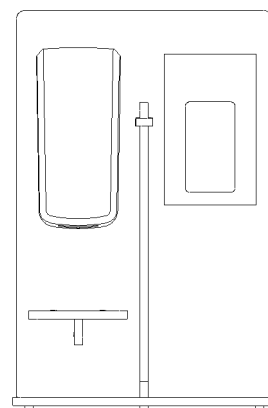
If assembling freestanding version, tray rests on top of leg. Screw tray to leg as shown at right.



**Step 4a:**  
 Strap pump bottle in place using Velcro strap. (if configuration supports pump bottle)



**Step 4b:**  
 Attach dispenser to panel. (if configuration supports sanitizer dispenser). Align dispenser on center 4-5" over tray.



**Step 5:**  
 Place PPE Station in final position.  
 Remove finger prints using recommended cleaning materials.

