



**K19 S—Hardware Kit Includes:**

- #10-24 Drywall Toggle (4) 900-01024
- #10-24x 2.5" Machine Screw (4) 900-110170359
- #10 Wall Anchor (4) 900-01028
- #10 x 1.5" Sheet Metal Screw (4) 900-1172936
- #50 Hex Key (1) 900-01032
- Cleat (4) SMV-4X4-C
- Mounting Template

**Materials/Tools Required:**

- Level / Masking Tape / Tape Measure
- Drill with 7/32" bit or 1/2" bit (see Step 2)
- Phillips Head bit

**Recommended Cleaning Materials:**

- Lint Free Cloth or Wipes
- Novus® 1 Plastic Cleaner and Polish

**Location Requirements:**

See ADA mounting height requirements page.

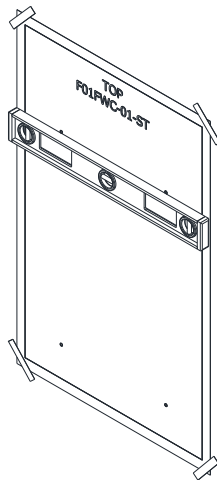
For more information visit:

[www.ada.gov/2010adastandards\\_index.htm](http://www.ada.gov/2010adastandards_index.htm)

K19 S - STEEL CLEAT

**Step 1:**

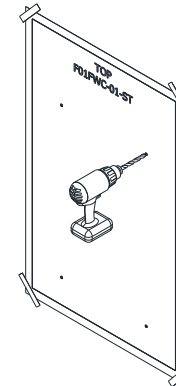
Tape template on wall at desired location, using a level to ensure bottom of template (line with arrows) is level/plumb.



**Step 2:**

At center hole marks in template, drill holes using method A or B, depending on wall conditions as noted below:

- A. For concrete/masonry installation, the recommended mounting hardware is a wall anchor. Drill 7/32" diameter holes. Install anchors and cleats per Step 3a.
- B. For drywall installation, the recommended mounting hardware is a drywall toggle. Drill 1/2" diameter holes and deburr them. Install toggles and cleats per Step 3b.

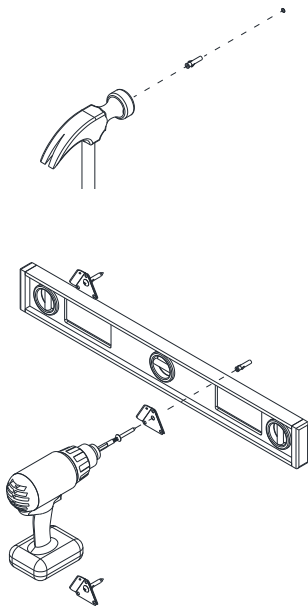


**Step 3a: Wall Anchors and Cleats Installation**

Drive anchors into masonry wall and seat flush.

Locate triangular cleats in kit).

Using Phillips head bit, screw #10 sheet metal screws through cleat and into wall anchors. Check bottom of cleat to ensure level. Repeat process for Communication Centers with multiple cleats. Proceed to Step 4.

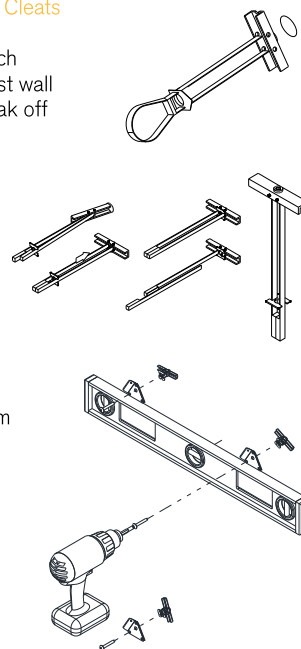


**Step 3b: Drywall Toggles and Cleats Installation**

Insert toggles into holes. Cinch retaining ring until tight against wall and seated in each hole. Break off excess plastic.

Locate triangular cleats (typically located on backside of Comm. Center) and remove for wall installation.

Using Phillips head bit, install #10-24 machine screws through cleat and into drywall toggles. Check bottom of cleat to ensure level. Repeat process for Comm. Centers with multiple cleats. Proceed to Step 4.

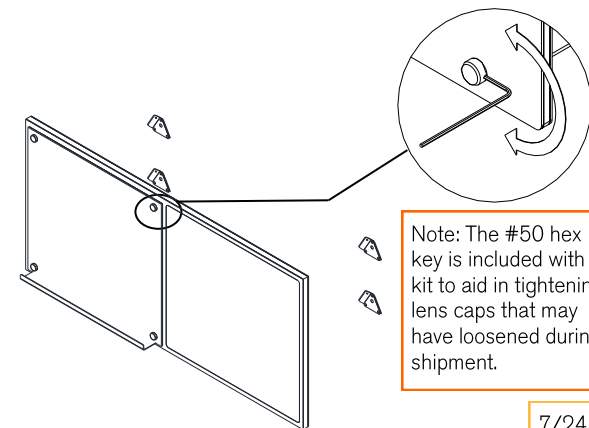


**Step 4:**

Carefully position Communication Center against wall with opening on backside aligned over cleats. Slide it down into position to engage contact with cleats and center on wall.

**Step 5:**

Remove finger prints from sign face and edges using recommended cleaning materials. DO NOT use ammonia or alcohol based cleaners.



Note: The #50 hex key is included with kit to aid in tightening lens caps that may have loosened during shipment.