

**K31 Hardware Kit Includes:**

Washer Stabilizer	(1) 900-100365
Tension Elbow Assembly	(1) 900-100367
#10-24x2.5" Machine Screw	(1) 900-01023
#10-24 Drywall Toggle	(1) 900-01024
#10x1.5" Sheet Metal Screw	(1) 900-01029
Lead Anchor, 6-8x1.5"	(1) 900-50994
Mini Gripper, 1/8-IP	(1) 900-01086
Stem Adapter, 3/8-16x1/8-IP	(1) 900-01088
Cable, SS, 1/16x16' LG	(1) 900-01090
Cap, 1/8-IP	(1) 900-01091
ABS Washer, White, 3/8x1.5"	(2) 900-01003
3/8-16 Drywall Toggle	(1) 900-01005 *
3/8-16 Hex Nut	(1) 900-01007
Swage Sleeve, 1/16x 3/8	(1) 900-43380
Side Clamp, 3/8	(AR) 900-SCA1610
Hex Key, 2mm	(1) 900-82787
Hex Key, 2.5mm	(1) 900-82789
Hex Key, 3mm	(1) 900-82791

\*Above hardware not used for Drop Ceiling Option

**Materials/Tools Required:**

- Pencil
- Tape Measure
- Level
- Hammer
- Cable Cutter
- Crimp Tool or Pliers (to crimp Swage Sleeve)
- Drill
- Phillips head bit
- Self-Leveling Line Laser Level/Plum Bob
- 1/2" drill bit (for ceiling holes, see Step 2)
- 1/4" or 1/2" drill bit (for wall holes, see Step 3)
- Ladder/Lift/Scaffold
- Superstrut Hardware (see Step 3 and Step 8 for instructions, see Page 3 for example building structure configurations and respective hardware requirements)

**Recommended Cleaning Materials:**

- Lint Free Non-abrasive Cloth or Wipes
- Fantastik® All-Purpose Heavy Duty Cleaner (Formula 409®, Windex®, Glass Plus®, Virex Tb or liquid detergent with water solution mixture are also acceptable cleaning materials)

**Cleaning Warning:** DO NOT scrub when cleaning a Moxie panel and DO NOT use ammonia or abrasive materials to clean a panel.

**K31 - MOXIE—Wall to Ceiling Cable Mount Installation (Drop Ceiling Option), Page 1 of 7**

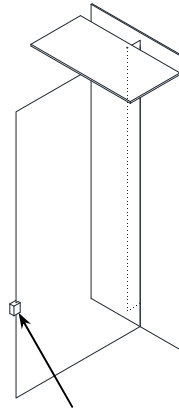
See pages 6 and 7 for drywall ceiling option

**Step 1:**

Measure panel width based on install position. Add 3/8" to this width measurement. This determines the mounting hole center to center distance between cable and hardware mounted to wall and ceiling.

**Step 2:**

At desired mounting location, offset 1-5/16" from mounting wall, mark ceiling tile with pencil where hardware will be installed, using mounting hole center to center distance determined from Step 1. Repeat mounting location marking on wall, ensuring each wall to ceiling vertical connection point center locations are aligned using a self-leveling laser level or plum bob. The wall location must be at minimum 6" below bottom of panel (note: 12" is recommended), but must be determined based on desired mounting location and any obstructions that may need to be considered.



Example Figure Using Laser Level To Determine Center Locations

For ceiling tile, use 1/2" bit to drill holes on marks. For wall hole drilling requirements, proceed to Step 3.

**Step 4:**

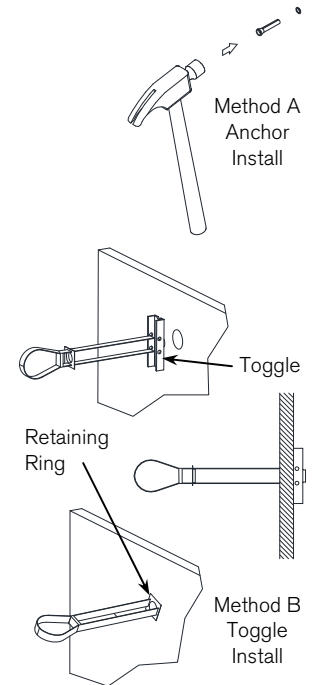
Remove ceiling tile above mounting location determined from Step 2 and examine ceiling to determine building structure conditions. Typically, one of three configurations will exist based on locations of structural beams and whether air duct obstacles are present. See Page 3-5 for example configurations and hardware requirements for each configuration. Once this has been determined, the installer will have to purchase the necessary hardware at a local hardware store (e.g., Home Depot or Lowe's) in order to complete Step 8 for cable tie down to superstrut.

For superstrut installation to existing structural beams, superstrut must be positioned in ceiling directly over mounting locations from Step 2. Failure to do so may result in damage to ceiling tile after Moxie panel installation, as noted in Step 8.

**Step 3:**

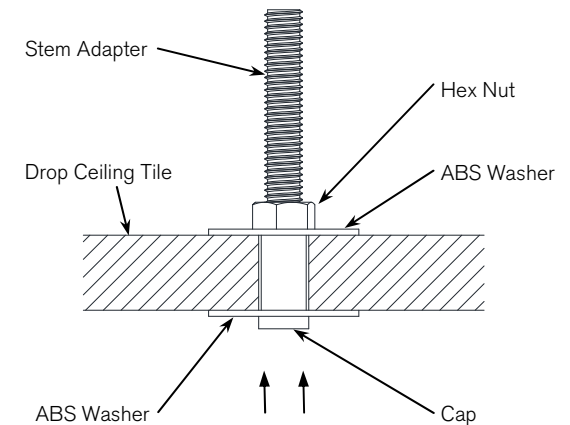
At center hole marks on wall, drill holes using method A or B, depending on wall conditions as noted below:

- A. For concrete/masonry installation, drill 1/4" diameter holes 1-1/2" deep. Insert lead anchors firmly into holes and drive remaining head of anchors in using hammer to seat flush.
- B. For drywall installation, drill 1/2" diameter holes. Insert drywall toggles into holes. Pull on strap so toggle is snug to drywall. Cinch retaining ring until tight against wall and seated in each hole. Break off excess plastic.



**Step 5:**

Assemble white ABS washer and cap to female end of stem adapter. Insert this assembly up into ceiling tile holes. Add ABS washer and hex nut on top, hand tightening hex nut to fit snug to ceiling tile.



**K31 Hardware Kit Includes:**

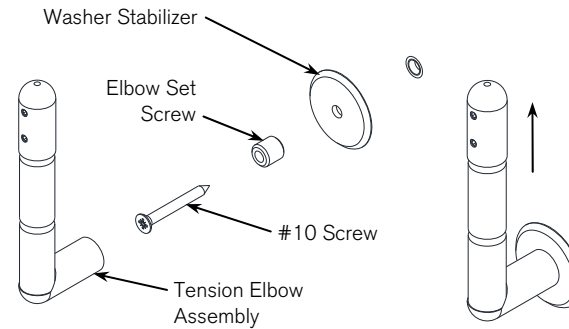
- Washer Stabilizer (1) 900-100365
  - Tension Elbow Assembly (1) 900-100367
  - #10-24x2.5" Machine Screw (1) 900-01023
  - #10-24 Drywall Toggle (1) 900-01024
  - #10x1.5" Sheet Metal Screw (1) 900-01029
  - Lead Anchor, 6-8x1.5" (1) 900-50994
  - Mini Gripper, 1/8-IP (1) 900-01086
  - Stem Adapter, 3/8-16x1/8-IP (1) 900-01088
  - Cable, SS, 1/16x16' LG (1) 900-01090
  - Cap, 1/8-IP (1) 900-01091
  - ABS Washer, White, 3/8x1.5" (2) 900-01003
  - 3/8-16 Drywall Toggle (1) 900-01005 \*
  - 3/8-16 Hex Nut (1) 900-01007
  - Swage Sleeve, 1/16x 3/8 (1) 900-43380
  - Side Clamp, 3/8 (AR) 900-SCA1610
  - Hex Key, 2mm (1) 900-82787
  - Hex Key, 2.5mm (1) 900-82789
  - Hex Key, 3mm (1) 900-82791
- \*Above hardware not used for Drop Ceiling Option

**K31 - MOXIE—Wall to Ceiling Cable Mount Installation (Drop Ceiling Option), Page 2 of 7**

See pages 6 and 7 for drywall ceiling option

**Step 6:**  
 Remove elbow set screw from threaded end of tension elbow assembly. Using drill with Phillips head bit, install set screw and washer stabilizer in bottom hole location flush against wall using either #10x1.5" sheet metal screw (for masonry/concrete wall) or #10-24x2.5" machine screw (for drywall).

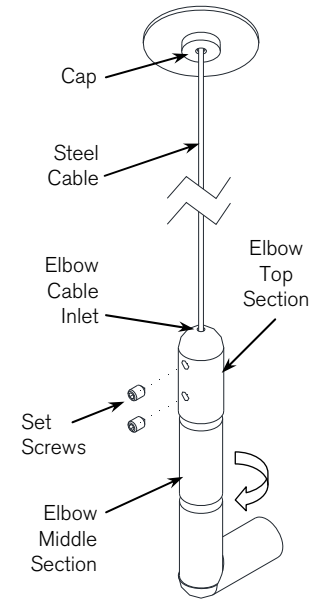
Thread tension elbow assembly onto set screw until snug against stabilizer washer and then continue to slowly rotate elbow clockwise until it is located in the up position pointing directly towards ceiling above.



**Step 7:**  
 Starting with tension elbow sections threaded together, while holding top section of elbow rotate middle section clockwise 4 full turns to loosen.

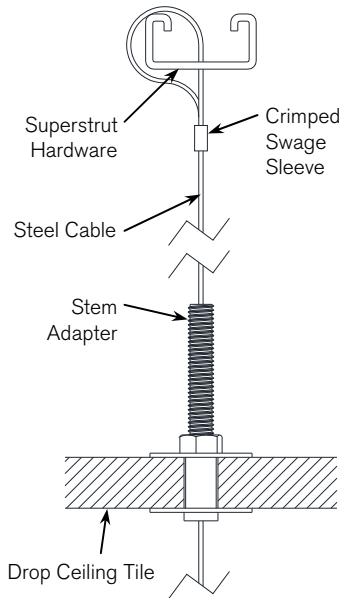
Loosen two set screws in tension elbow with 2mm hex key. Feed cable all the way into elbow inlet and tighten set screws to secure cable in place.

Feed steel cable up and through cap. Pull cable taut from above ceiling tile and tie off cable to building structure per Step 8.

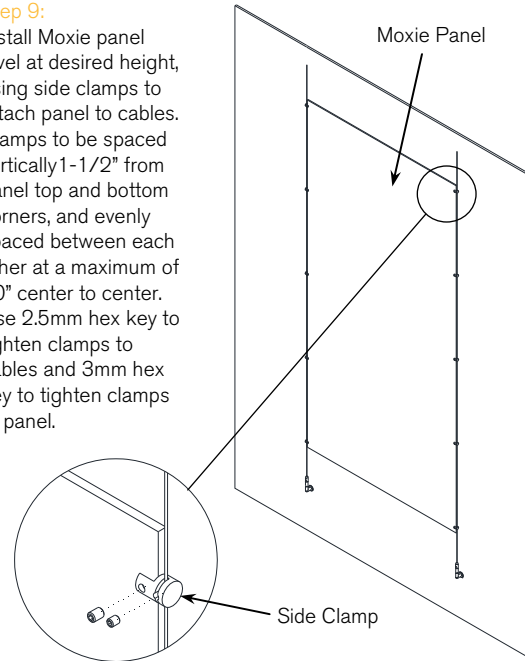


**Step 8:**  
 Cable above ceiling tile MUST BE looped around superstrut hardware mounted to existing building structure and crimped using included swage sleeve. This is required for safety purposes, as drop ceiling cannot sustain the Moxie panel load.

**Note:** Prior to tie down of cable to superstrut hardware, ensure cable is vertical from floor to superstrut connection point. If cable is angled when exiting stem adapter to superstrut, it may cause damage to ceiling tile after the Moxie panel is installed.



**Step 9:**  
 Install Moxie panel level at desired height, using side clamps to attach panel to cables. Clamps to be spaced vertically 1-1/2" from panel top and bottom corners, and evenly spaced between each other at a maximum of 30" center to center. Use 2.5mm hex key to tighten clamps to cables and 3mm hex key to tighten clamps to panel.



**Step 10:**  
 After panel is assembled to cables using side clamps, check cable again for tautness as cable may have stretched slightly from additional weight of panel. If adjustment is needed, adjust middle section of tension elbow assembly counterclockwise.

**Step 11:**  
 Remove finger prints from Moxie panel face and edges using recommended cleaning materials listed on Page 1.

Superstrut Hardware Requirements per Moxie Panel:

Note: Hardware to be purchased by installer based on existing building structure conditions. Figure A is the preferred superstrut hardware, followed by Figure B, as conditions allow. Figure C should only be necessary in extreme cases.

Figure A:

- Superstrut Steel Channel 1-5/8"x13/16"x10' (1)  
 Home Depot sku # 863322  
 Lowe's item # 20281
- Superstrut U-Bolt Beam Clamp (2)  
 Home Depot sku # 236521  
 Lowe's item # 45684

Figure B:

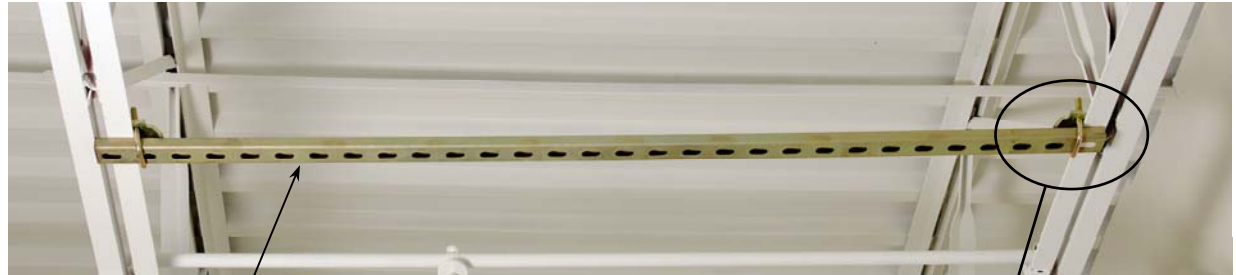
- Superstrut Steel Channel 1-5/8"x13/16"x10' (1)  
 Home Depot sku # 863322  
 Lowe's item # 20281
- Threaded Rod, 3/8-16x36", Zinc-Plated Steel (2)  
 Home Depot sku # 671223  
 Lowe's item # 69888
- Nut, Hex, 3/18-16, Zinc-Plated Steel (8)  
 Home Depot sku # 328674 (pack of 25)  
 Lowe's item # 135800 (pack of 25)
- Washer, Flat, Fender, 3/8x1-1/4OD, Steel (8)  
 Home Depot sku # 207993 (pack of 2)  
 Lowe's item # 136659 (pack of 4)

Figure C:

- Superstrut Steel Channel 1-5/8"x13/16"x10' (2)  
 Home Depot sku # 863322  
 Lowe's item # 20281
- Superstrut U-Bolt Beam Clamp (2)  
 Home Depot sku # 236521  
 Lowe's item # 45684
- Threaded Rod, 3/8-16x36", Zinc-Plated Steel (2)  
 Home Depot sku # 671223  
 Lowe's item # 69888
- Nut, Hex, 3/18-16, Zinc-Plated Steel (8)  
 Home Depot sku # 328674 (pack of 25)  
 Lowe's item # 135800 (pack of 25)
- Washer, Flat, 3/8, Zinc-Plated Steel (8)  
 Home Depot sku # 637009 (pack of 8)  
 Lowe's item # 58126 (pack of 10)

Figure A: Superstrut and U-Bolt Beam Clamp

Install superstrut securely, as described in Step 4 (page 1), between two existing building structure beams using beam clamps. This will be used to tie off steel cable, as described in Step 8 (page 2).



Superstrut



Beam Clamp

See pages 6 and 7 for drywall ceiling option

**Superstrut Hardware Requirements per Moxie Panel:**

Note: Hardware to be purchased by installer based on existing building structure conditions. Figure A is the preferred superstrut hardware, followed by Figure B, as conditions allow. Figure C should only be necessary in extreme cases.

**Figure A:**

- Superstrut Steel Channel 1-5/8"x13/16"x10' (1)  
 Home Depot sku # 863322  
 Lowe's item # 20281
- Superstrut U-Bolt Beam Clamp (2)  
 Home Depot sku # 236521  
 Lowe's item # 45684

**Figure B:**

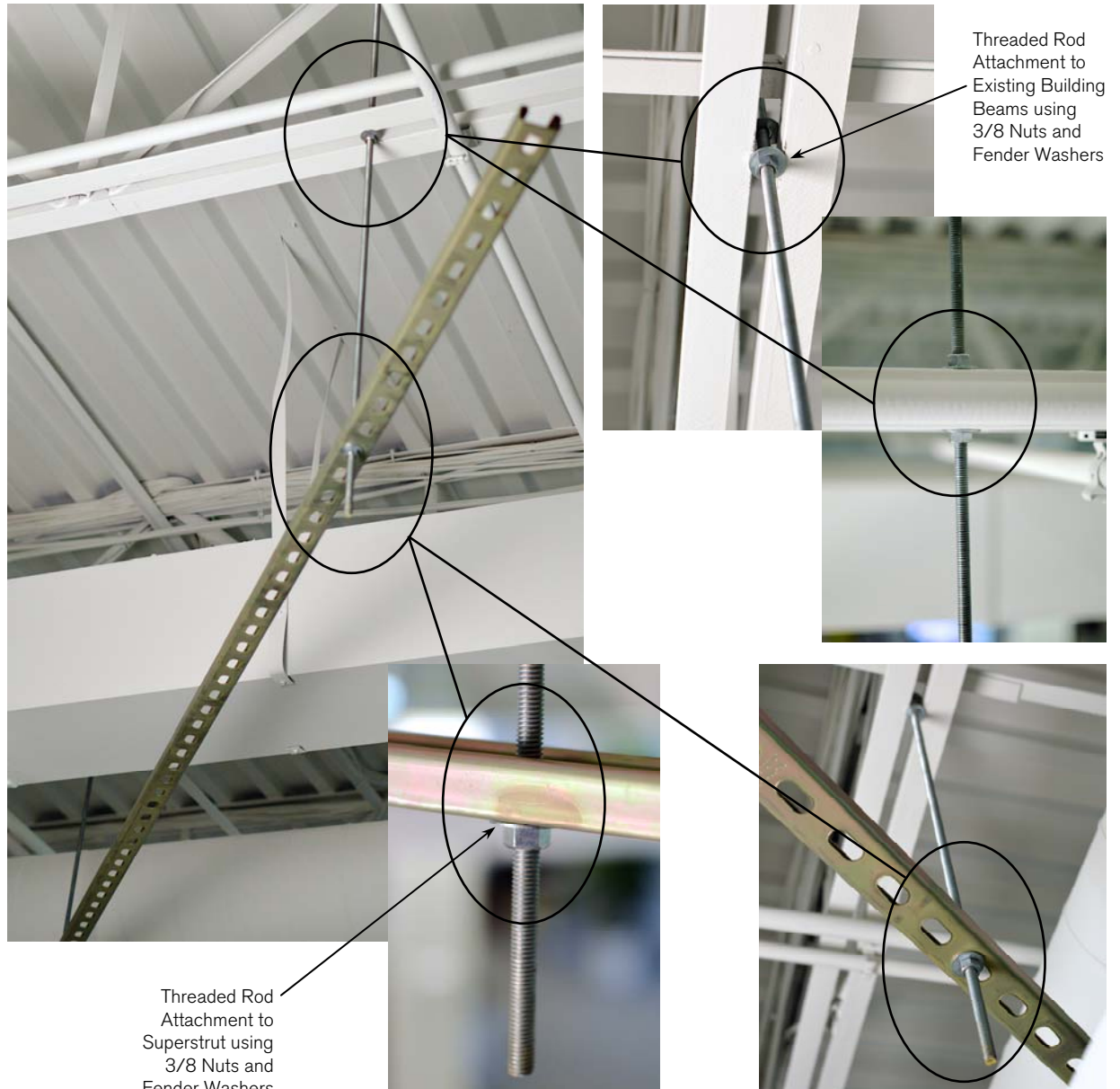
- Superstrut Steel Channel 1-5/8"x13/16"x10' (1)  
 Home Depot sku # 863322  
 Lowe's item # 20281
- Threaded Rod, 3/8-16x36", Zinc-Plated Steel (2)  
 Home Depot sku # 671223  
 Lowe's item # 69888
- Nut, Hex, 3/18-16, Zinc-Plated Steel (8)  
 Home Depot sku # 328674 (pack of 25)  
 Lowe's item # 135800 (pack of 25)
- Washer, Flat, Fender, 3/8x1-1/4OD, Steel (8)  
 Home Depot sku # 207993 (pack of 2)  
 Lowe's item # 136659 (pack of 4)

**Figure C:**

- Superstrut Steel Channel 1-5/8"x13/16"x10' (2)  
 Home Depot sku # 863322  
 Lowe's item # 20281
- Superstrut U-Bolt Beam Clamp (2)  
 Home Depot sku # 236521  
 Lowe's item # 45684
- Threaded Rod, 3/8-16x36", Zinc-Plated Steel (2)  
 Home Depot sku # 671223  
 Lowe's item # 69888
- Nut, Hex, 3/18-16, Zinc-Plated Steel (8)  
 Home Depot sku # 328674 (pack of 25)  
 Lowe's item # 135800 (pack of 25)
- Washer, Flat, 3/8, Zinc-Plated Steel (8)  
 Home Depot sku # 637009 (pack of 8)  
 Lowe's item # 58126 (pack of 10)

**Figure B: Superstrut with Threaded Rods For Air Ducts Obstacle**

Install superstrut securely below air duct obstacles, as described in Step 4 (page 1), between two existing building structure beams using 3/8 threaded rods, nuts and fender washers. This will be used to tie off steel cable, as described in Step 8 (page 2).



Threaded Rod Attachment to Existing Building Beams using 3/8 Nuts and Fender Washers

Threaded Rod Attachment to Superstrut using 3/8 Nuts and Fender Washers

Superstrut Hardware Requirements per Moxie Panel:

Note: Hardware to be purchased by installer based on existing building structure conditions. Figure A is the preferred superstrut hardware, followed by Figure B, as conditions allow. Figure C should only be necessary in extreme cases.

Figure A:

- Superstrut Steel Channel 1-5/8"x13/16"x10' (1)  
 Home Depot sku # 863322  
 Lowe's item # 20281
- Superstrut U-Bolt Beam Clamp (2)  
 Home Depot sku # 236521  
 Lowe's item # 45684

Figure B:

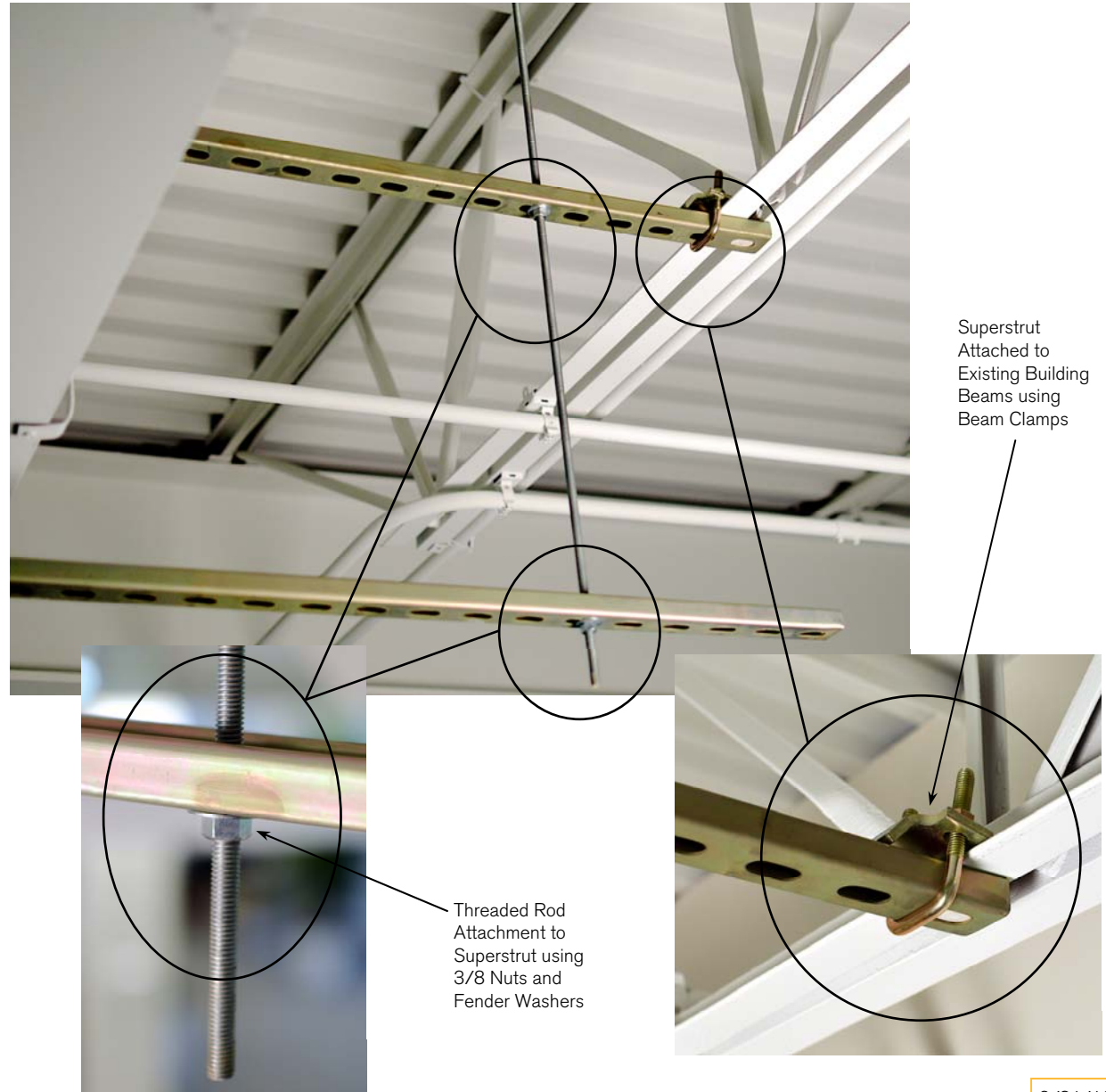
- Superstrut Steel Channel 1-5/8"x13/16"x10' (1)  
 Home Depot sku # 863322  
 Lowe's item # 20281
- Threaded Rod, 3/8-16x36", Zinc-Plated Steel (2)  
 Home Depot sku # 671223  
 Lowe's item # 69888
- Nut, Hex, 3/18-16, Zinc-Plated Steel (8)  
 Home Depot sku # 328674 (pack of 25)  
 Lowe's item # 135800 (pack of 25)
- Washer, Flat, Fender, 3/8x1-1/4OD, Steel (8)  
 Home Depot sku # 207993 (pack of 2)  
 Lowe's item # 136659 (pack of 4)

Figure C:

- Superstrut Steel Channel 1-5/8"x13/16"x10' (2)  
 Home Depot sku # 863322  
 Lowe's item # 20281
- Superstrut U-Bolt Beam Clamp (2)  
 Home Depot sku # 236521  
 Lowe's item # 45684
- Threaded Rod, 3/8-16x36", Zinc-Plated Steel (2)  
 Home Depot sku # 671223  
 Lowe's item # 69888
- Nut, Hex, 3/18-16, Zinc-Plated Steel (8)  
 Home Depot sku # 328674 (pack of 25)  
 Lowe's item # 135800 (pack of 25)
- Washer, Flat, 3/8, Zinc-Plated Steel (8)  
 Home Depot sku # 637009 (pack of 8)  
 Lowe's item # 58126 (pack of 10)

Figure C: Superstrut and U-Bolt Beam Clamp with Threaded Rods For Air Ducts Obstacle

Install superstrut securely below air duct obstacles, as described in Step 4 (page 1), between two existing building structure beams using beam clamps. Install second superstrut below air ducts using 3/8 threaded rods, washers and nuts. This will be used to tie off steel cable, as described in Step 8 (page 2).



**K31 Hardware Kit Includes:**

Washer Stabilizer	(1) 900-100365
Tension Elbow Assembly	(1) 900-100367
#10-24x2.5" Machine Screw	(1) 900-01023
#10-24 Drywall Toggle	(1) 900-01024
#10x1.5" Sheet Metal Screw	(1) 900-01029
Lead Anchor, 6-8x1.5"	(1) 900-50994
Mini Gripper, 1/8-IP	(1) 900-01086
Stem Adapter, 3/8-16x1/8-IP	(1) 900-01088
Cable, SS, 1/16x16' LG	(1) 900-01090
Cap, 1/8-IP	(1) 900-01091 *
ABS Washer, White, 3/8x1.5"	(2) 900-01003
3/8-16 Drywall Toggle	(1) 900-01005
3/8-16 Hex Nut	(1) 900-01007 *
Swage Sleeve, 1/16x 3/8	(1) 900-43380
Side Clamp, 3/8	(AR) 900-SCA1610
Hex Key, 2mm	(1) 900-82787
Hex Key, 2.5mm	(1) 900-82789
Hex Key, 3mm	(1) 900-82791

\*Above hardware not used for Drywall Ceiling Option

**Materials/Tools Required:**

- Pencil
- Tape Measure
- Level
- Hammer
- Cable Cutter
- Crimp Tool or Pliers (to crimp Swage Sleeve)
- Drill
- Phillips head bit
- Self-Leveling Line Laser Level/Plum Bob
- 3/4" drill bit (for ceiling holes, see Step 2)
- 1/4" or 1/2" drill bit (for wall holes, see Step 3)
- Ladder/Lift/Scaffold

**Recommended Cleaning Materials:**

Lint Free Non-abrasive Cloth or Wipes  
 Fantastik® All-Purpose Heavy Duty Cleaner  
 (Formula 409®, Windex®, Glass Plus®, Virex Tb or liquid detergent with water solution mixture are also acceptable cleaning materials)

**Cleaning Warning:** DO NOT scrub when cleaning a Moxie panel and DO NOT use ammonia or abrasive materials to clean a panel.

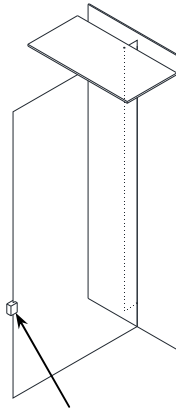
**K31 - MOXIE—Wall to Ceiling Cable Mount Installation (Drywall Ceiling Option), Page 6 of 7**  
 See pages 1-5 for drop ceiling option

**Step 1:**

Measure panel width based on install position. Add 3/8" to this width measurement. This determines the mounting hole center to center distance between cable and hardware mounted to wall and ceiling.

**Step 2:**

At desired mounting location, offset 1-5/16" from mounting wall, mark drywall ceiling with pencil where hardware will be installed, using mounting hole center to center distance determined from Step 1. Repeat mounting location marking on wall, ensuring each wall to ceiling vertical connection point center locations are aligned using a self-leveling laser level or plum bob. The wall location must be at minimum 6" below bottom of panel (note: 12" is recommended), but must be determined based on desired mounting location and any obstructions that may need to be considered.

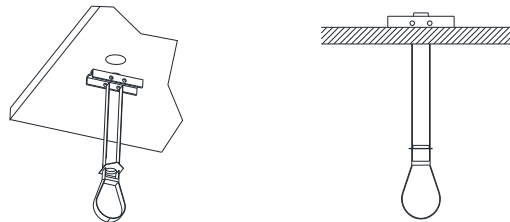


Example Figure Using Laser Level To Determine Center Locations

For drywall ceiling, use 3/4" bit to drill holes on marks. For wall hole drilling requirements, proceed to Step 3.

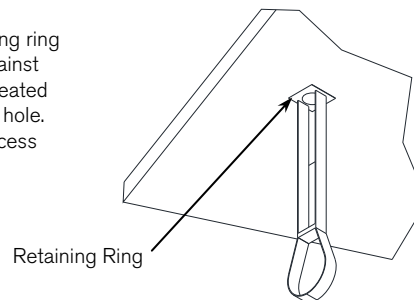
**Step 4:**

Insert drywall toggles into ceiling holes. Pull on strap so toggle is snug to top of drywall.



**Step 5:**

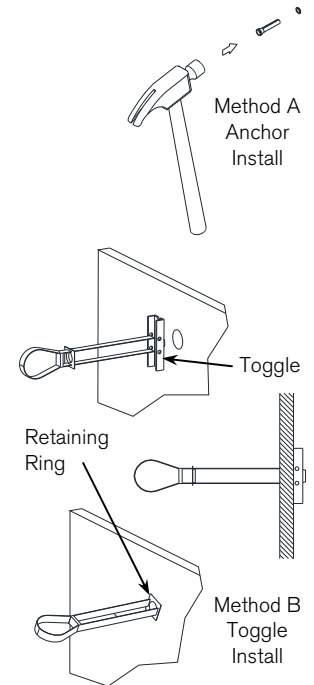
Cinch retaining ring until tight against ceiling and seated in each 3/4" hole. Break off excess plastic.



**Step 3:**

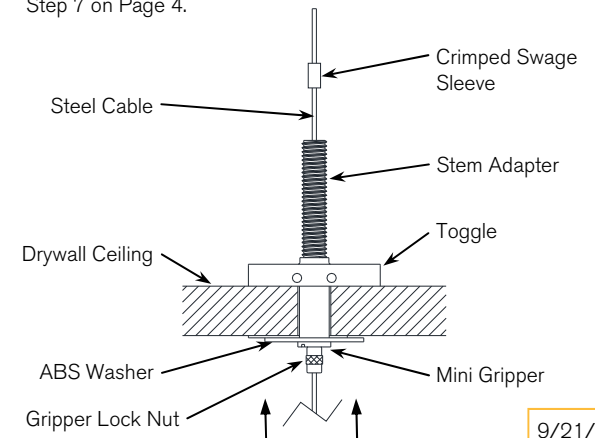
At center hole marks on wall, drill holes using method A or B, depending on wall conditions as noted below:

- A. For concrete/masonry installation, drill 1/4" diameter holes 1-1/2" deep. Insert lead anchors firmly into holes and drive remaining head of anchors in using hammer to seat flush.
- B. For drywall installation, drill 1/2" diameter holes. Insert drywall toggles into holes. Pull on strap so toggle is snug to drywall. Cinch retaining ring until tight against wall and seated in each hole. Break off excess plastic.



**Step 6:**

Assemble ABS washer and mini gripper to stem adapter. Loosen lock nut on mini gripper (do not remove) and feed steel cable through stem adapter, leaving 2" to 3" on opposite end. Thread cable into swage sleeve and crimp sleeve (Note: this stops cable from slipping through stem adapter, preventing Moxie panel from falling should the hardware get damaged or vandalized). Thread this assembly into toggle until ABS washer is snug to drywall ceiling. Tighten gripper lock nut. Proceed to Step 7 on Page 4.



**K31 Hardware Kit Includes:**

- Washer Stabilizer (1) 900-100365
- Tension Elbow Assembly (1) 900-100367
- #10-24x2.5" Machine Screw (1) 900-01023
- #10-24 Drywall Toggle (1) 900-01024
- #10x1.5" Sheet Metal Screw (1) 900-01029
- Lead Anchor, 6-8x1.5" (1) 900-50994
- Mini Gripper, 1/8-IP (1) 900-01086
- Stem Adapter, 3/8-16x1/8-IP (1) 900-01088
- Cable, SS, 1/16x16' LG (1) 900-01090
- Cap, 1/8-IP (1) 900-01091 \*
- ABS Washer, White, 3/8x1.5" (2) 900-01003
- 3/8-16 Drywall Toggle (1) 900-01005
- 3/8-16 Hex Nut (1) 900-01007 \*
- Swage Sleeve, 1/16x 3/8 (1) 900-43380
- Side Clamp, 3/8 (AR) 900-SCA1610
- Hex Key, 2mm (1) 900-82787
- Hex Key, 2.5mm (1) 900-82789
- Hex Key, 3mm (1) 900-82791

\*Above hardware not used for Drywall Ceiling Option

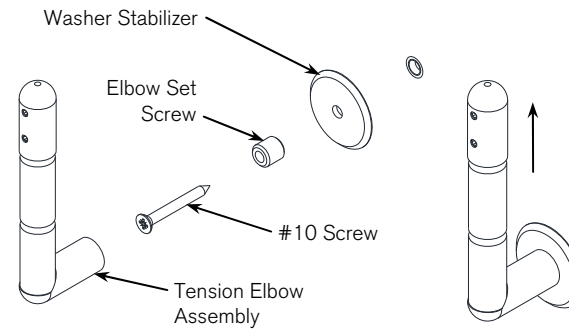
**K31 - MOXIE—Wall to Ceiling Cable Mount Installation (Drywall Ceiling Option), Page 7 of 7**

See pages 1-5 for drop ceiling option

**Step 7:**

Remove elbow set screw from threaded end of tension elbow assembly. Using drill with Phillips head bit, install set screw and washer stabilizer in bottom hole location flush against wall using either #10x1.5" sheet metal screw (for masonry/concrete wall) or #10-24x2.5" machine screw (for drywall).

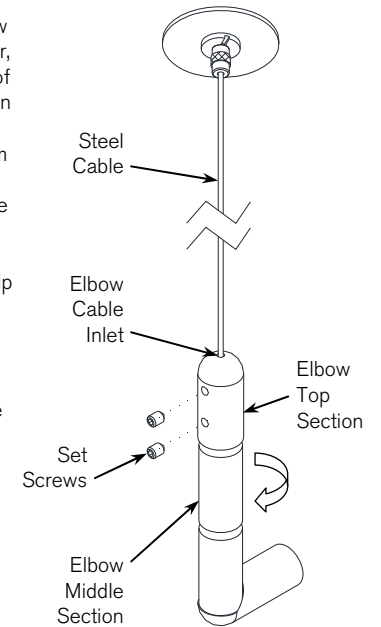
Thread tension elbow assembly onto set screw until snug against stabilizer washer and then continue to slowly rotate elbow clockwise until it is located in the up position pointing directly towards ceiling above.



**Step 8:**

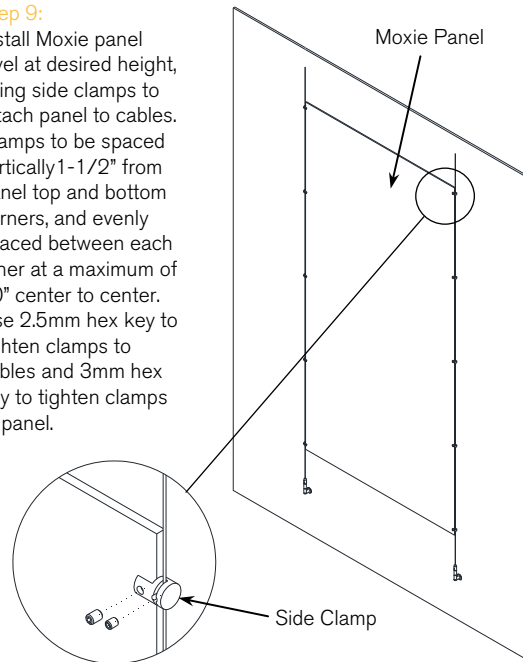
Starting with tension elbow sections threaded together, while holding top section of elbow rotate middle section clockwise 4 full turns to loosen. Pull cable taut from ceiling to inlet of tension elbow. Add 1-3/4" of cable in addition to this length from ceiling to elbow inlet and use cable cutter to snip off excess.

Loosen two set screws in tension elbow with 2mm hex key. Feed cable all the way into elbow inlet and tighten set screws to secure cable in place. Ensure cable is taut by adjusting tension elbow middle section counterclockwise.



**Step 9:**

Install Moxie panel level at desired height, using side clamps to attach panel to cables. Clamps to be spaced vertically 1-1/2" from panel top and bottom corners, and evenly spaced between each other at a maximum of 30" center to center. Use 2.5mm hex key to tighten clamps to cables and 3mm hex key to tighten clamps to panel.



**Step 10:**

After panel is assembled to cables using side clamps, check cable again for tautness as cable may have stretched slightly from additional weight of panel. If adjustment is needed, adjust middle section of tension elbow counterclockwise as noted in Step 8.

**Step 11:**

Remove finger prints from Moxie panel face and edges using recommended cleaning materials listed on Page 4.