

K39 Hardware Kit Includes:

- #10-24x1" Aluminum Stud (2) 900-93225A771
- Loctite PL Premium Adhesive (1) 150-1390595
(10oz cartridge)
- Mounting Template

Materials/Tools Required:

- Tape / Level / Tape Measure
- Utility Knife / Caulking Gun / Gloves
- Drill with 1/4" masonry drill bit

Important Wall Preparation Guidelines:

1. Wall surface must be clean and dry prior to installation.
2. Allow freshly painted walls to dry at least 72 hours.
3. Wear gloves when handling adhesive for safety precautions.
4. Adhesive application temperature is 42°F to 94°F.
5. Allow 24 hours for adhesive to cure.
6. Adhesive open time is 45 minutes.

Caution:

Number of studs may not match number of stud holes on back of sign.

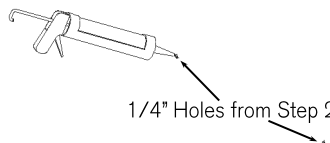
Important Installation Guidelines:

1. A minimum of 1/4" spacing between each sign is required when mounting adjacent to each other.

Step 3:

Finger tighten studs into holes in back of sign. **ONLY USE TWO STUD HOLES LOCATED IN UPPER LEFT AND RIGHT CORNERS OF SIGN**, unless otherwise specified on template.

Fill 1/4" holes in wall with Loctite adhesive, using caulking gun to dispense adhesive from cartridge.



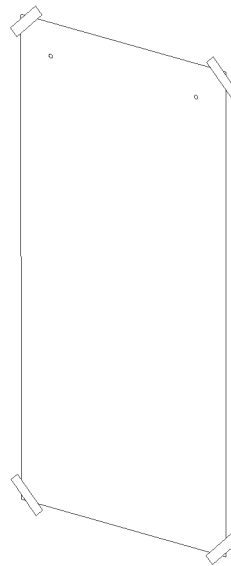
Step 4:

Remove liner from tape on back of sign. Apply approximately 1/4" diameter by 3" circle beads of Loctite adhesive to back of sign, spaced in center area between each set of 4 tape grids. Do not apply adhesive near edges of sign as this may cause adhesive to squeeze out and be visible when sign is pressed against wall.

**K39 - MOXIE—Structural Adhesive Mount Installation
(For Masonry Wall Applications)**

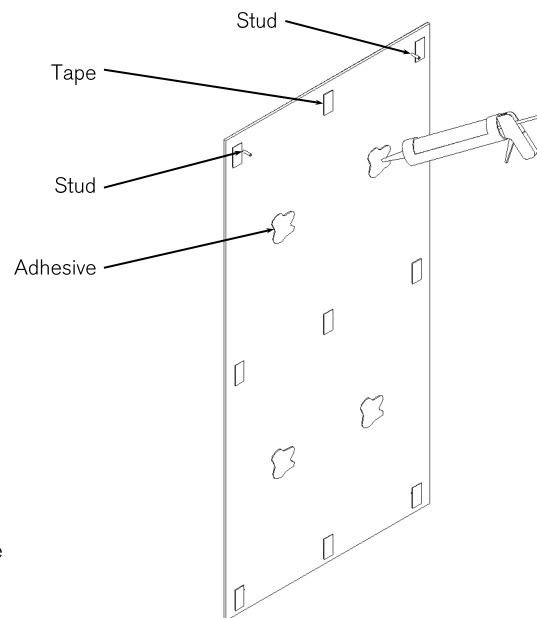
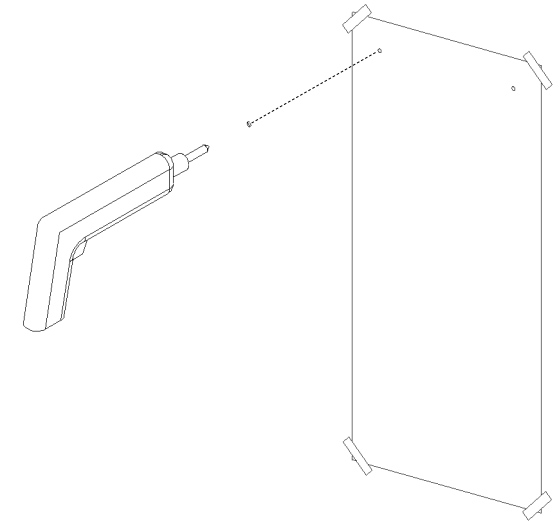
Step 1:

Tape template on wall at desired location, using a level to ensure template is level/plumb.



Step 2:

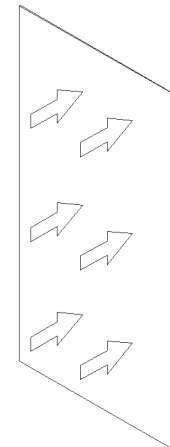
At center of hole marks in template, typically located in the upper left and right corners, drill 1/4" diameter holes by 1" deep into wall. Remove template from wall and deburr holes.



Step 5:

Place sign on wall, aligning studs in back of sign with holes in wall. Check that sign is level. Press sign firmly and evenly to wall with 15 PSI of pressure so that tape activates against wall.

The adhesive is the primary bonding agent. The tape and studs provide temporary hold until adhesive cures.



Step 6:

Remove finger prints from sign face and edges using lint free cloth or wipes and Fantastik® All-Purpose Heavy Duty Cleaner. DO NOT scrub when cleaning sign. DO NOT use ammonia or abrasive materials.